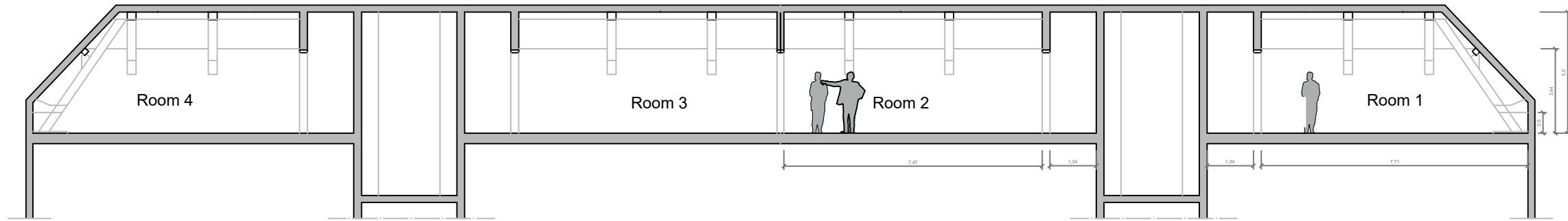


# "The Army of Love"

---

- OPTION 1:  
Front projection
- OPTION 2:  
Rear projection

GENERAL PLANS



# ROOM 1

Photo 1



Photo 2



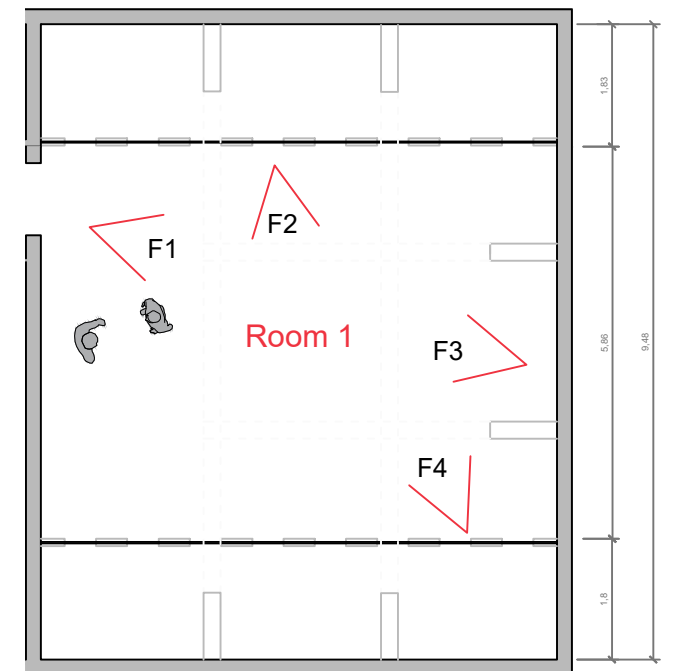
Photo 3



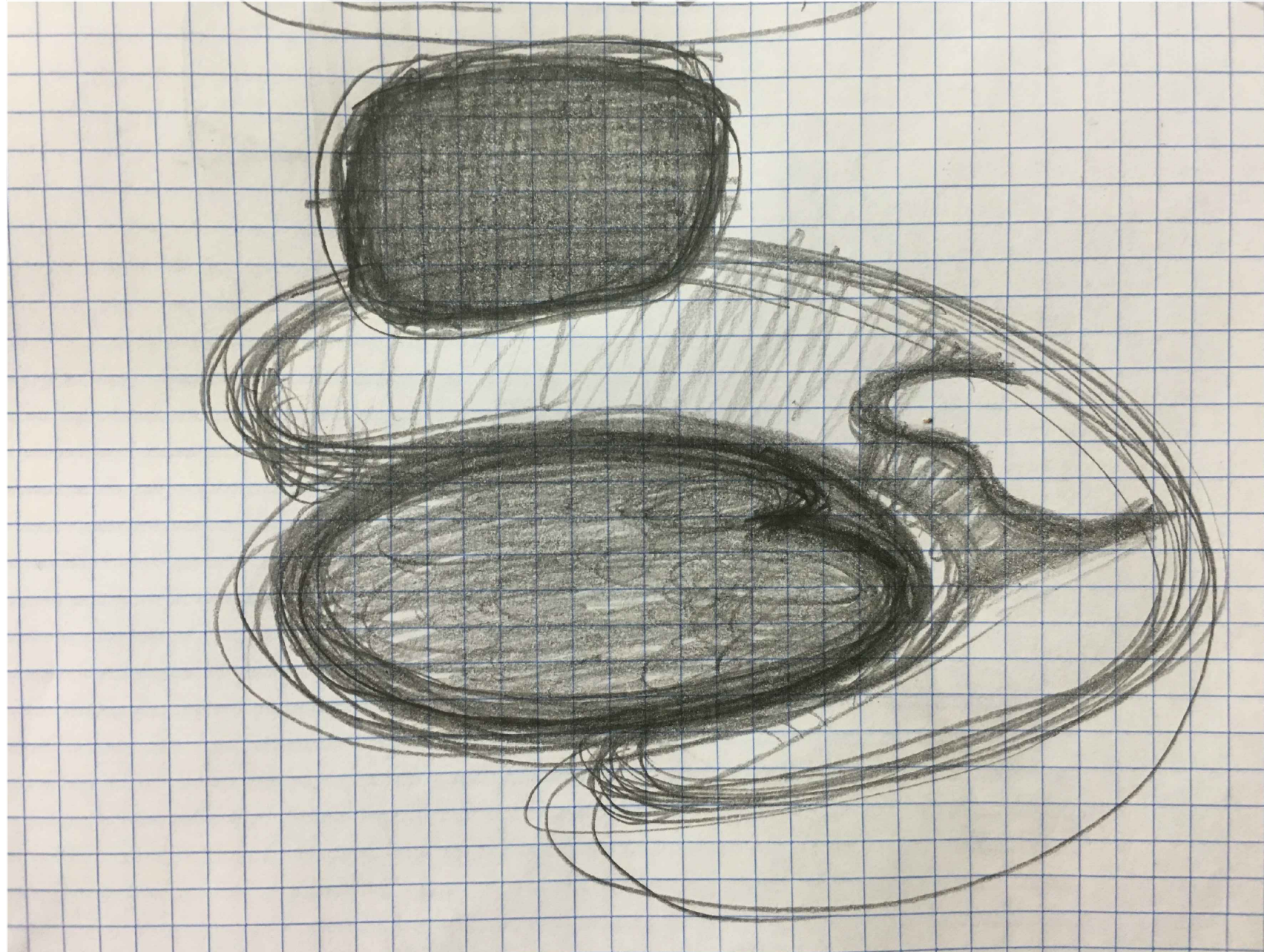
Photo 4



Floor plan

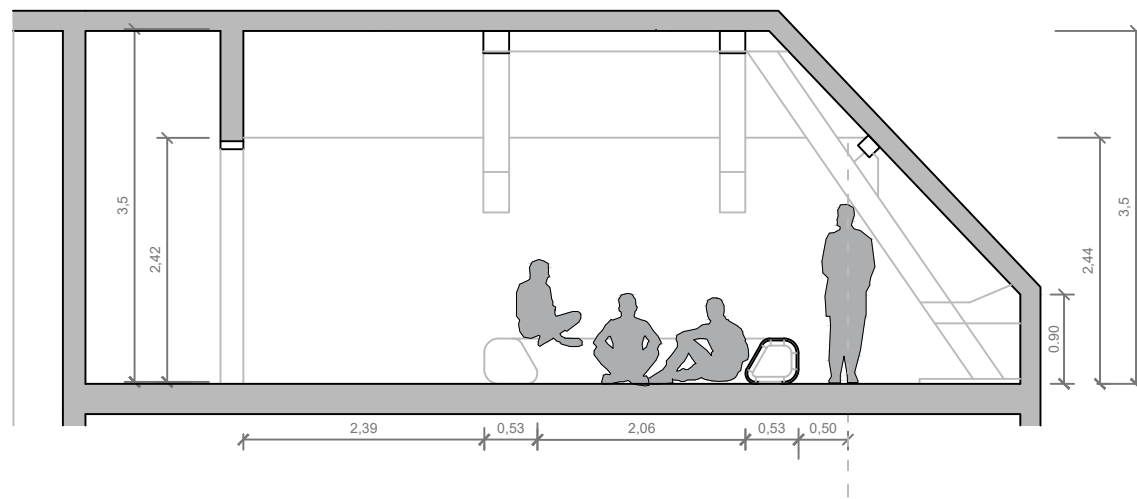


## DORA SCKETCK PROPOSAL

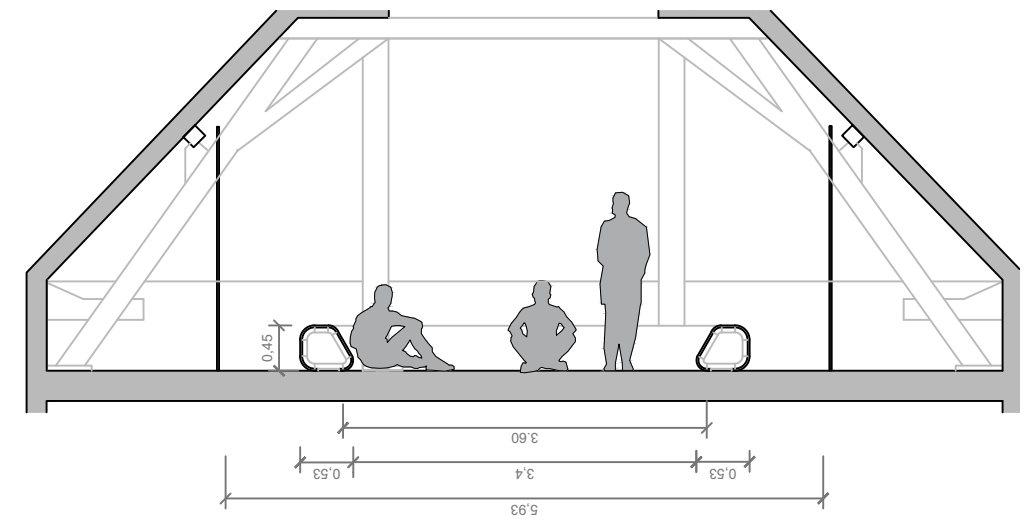


**ROOM 1**  
PROPOSAL PLANS

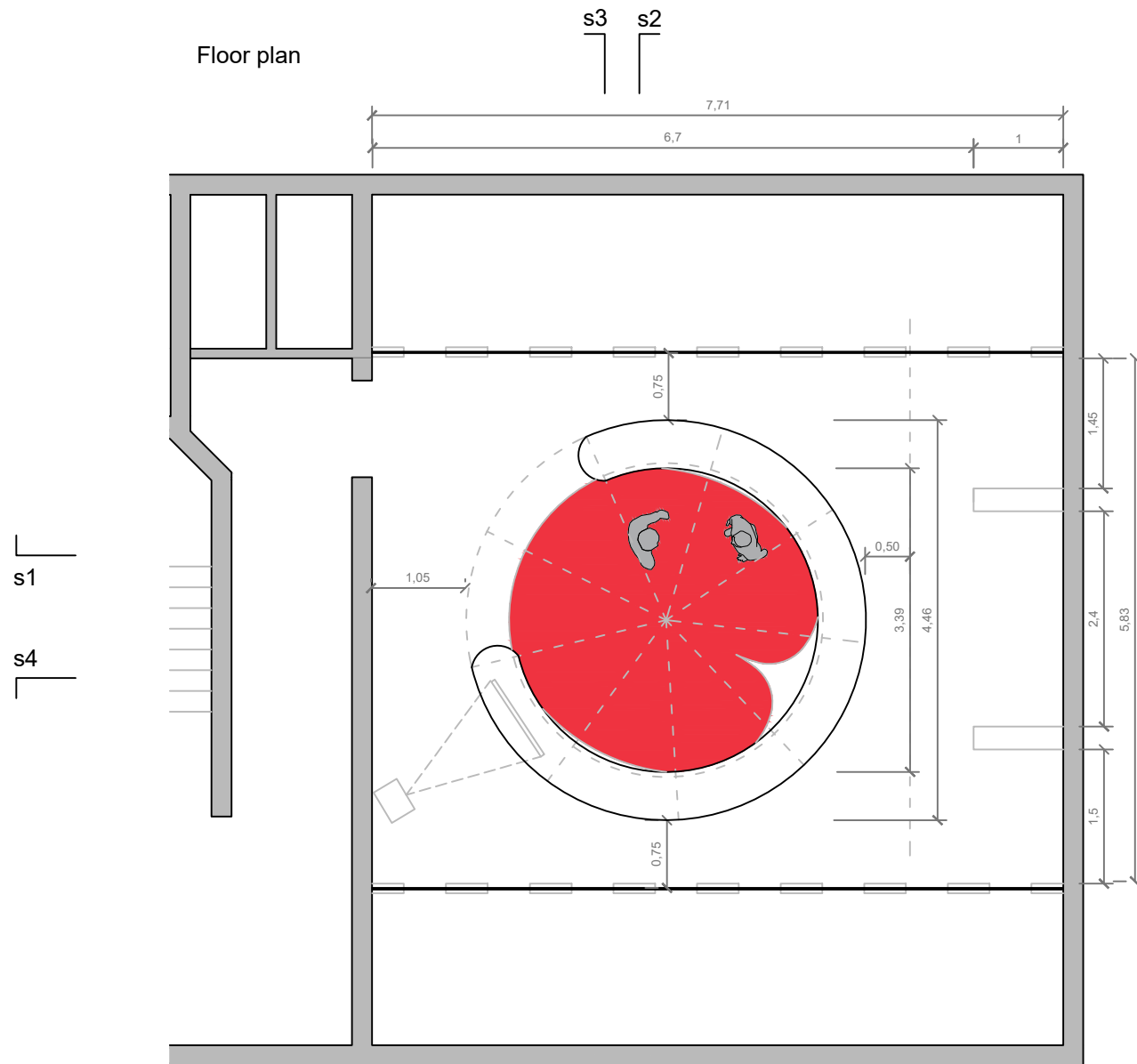
Section 1



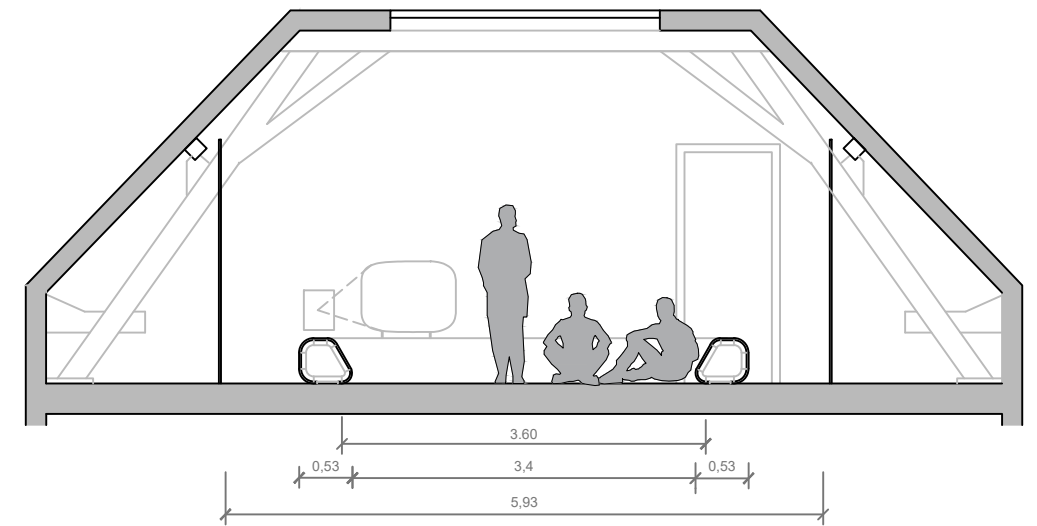
Section 2



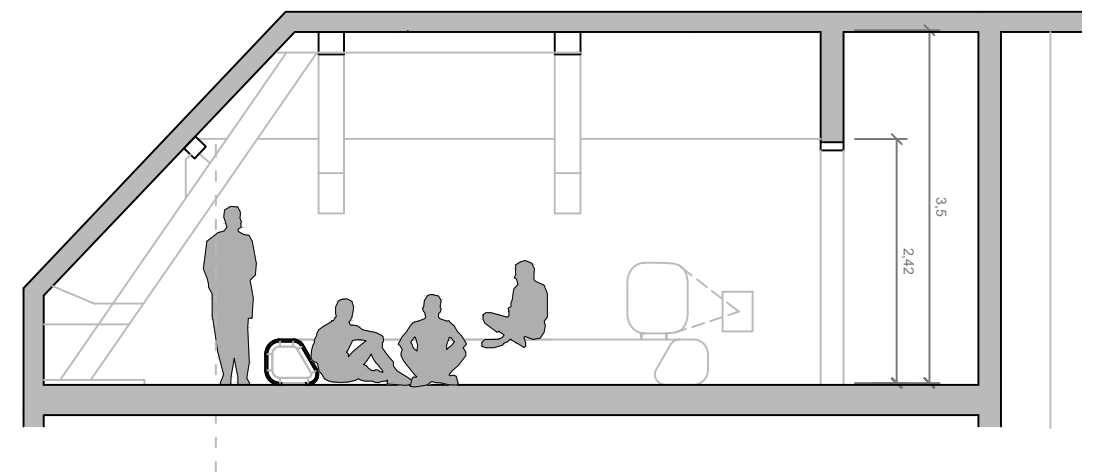
Floor plan



Section 3

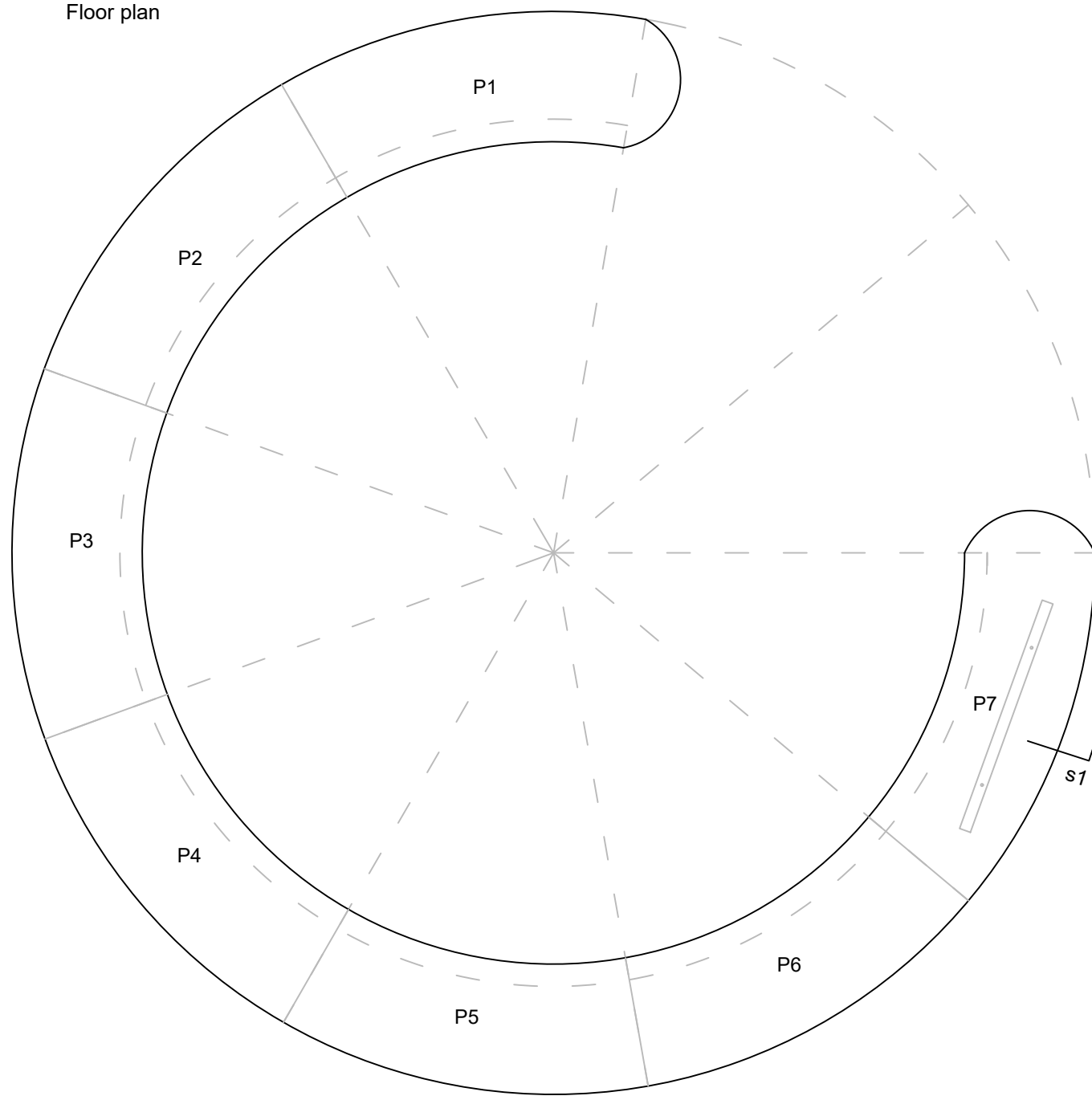


Section 4



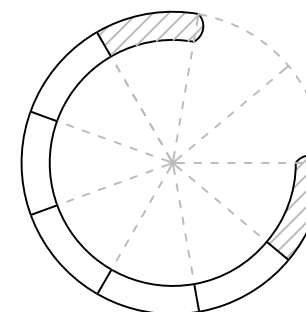
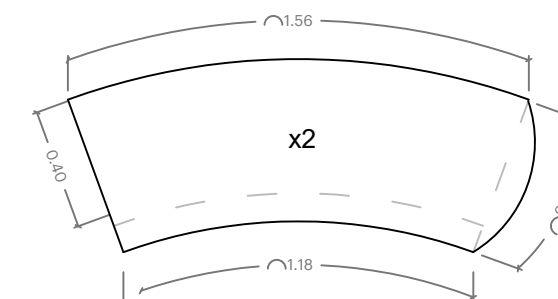
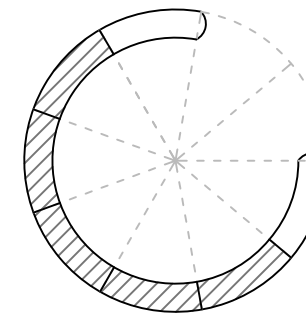
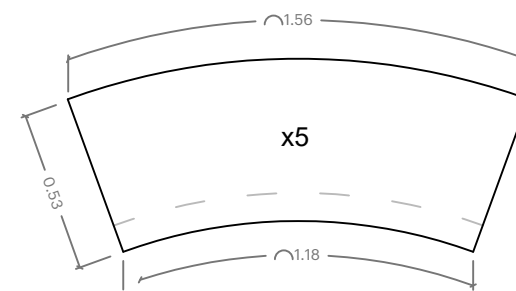
**ROOM 1**  
MODULAR FURNITURE

Floor plan

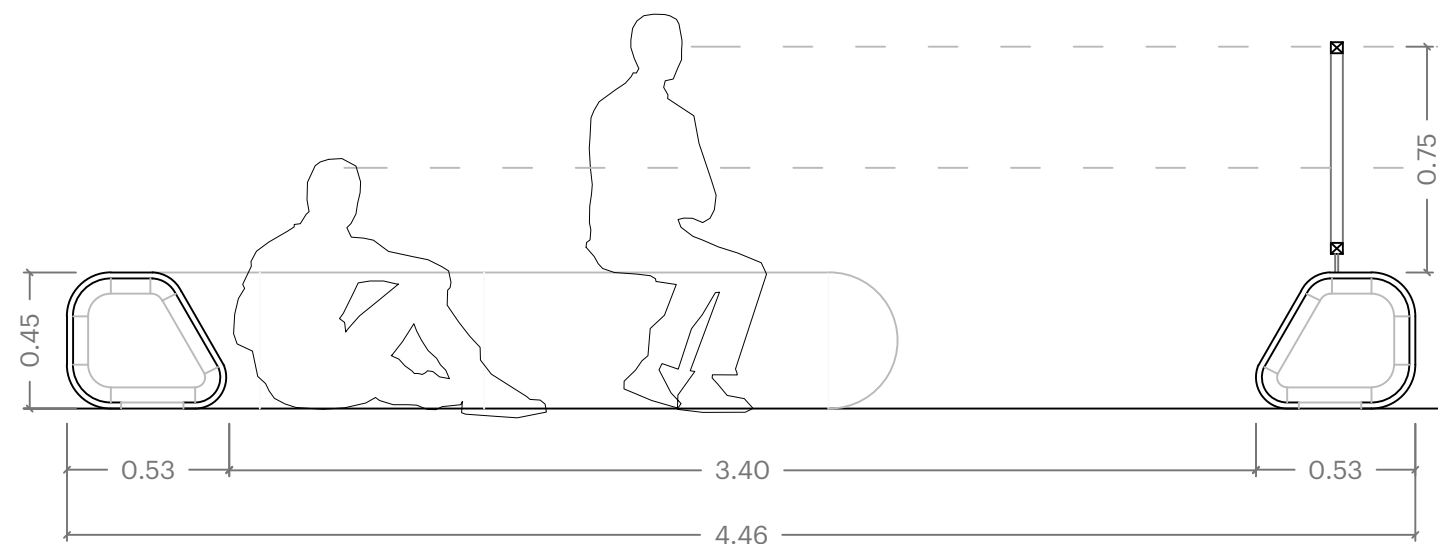


White color to confirm by the manufacturer company

Module

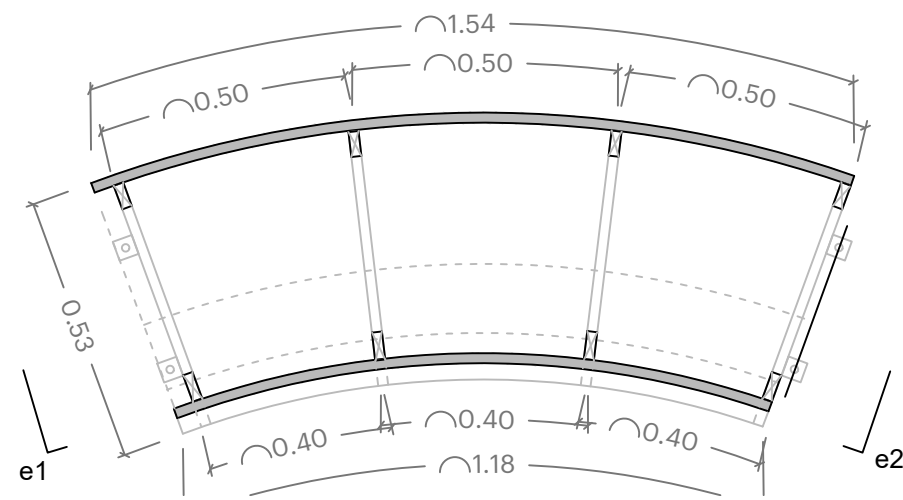


Section 1

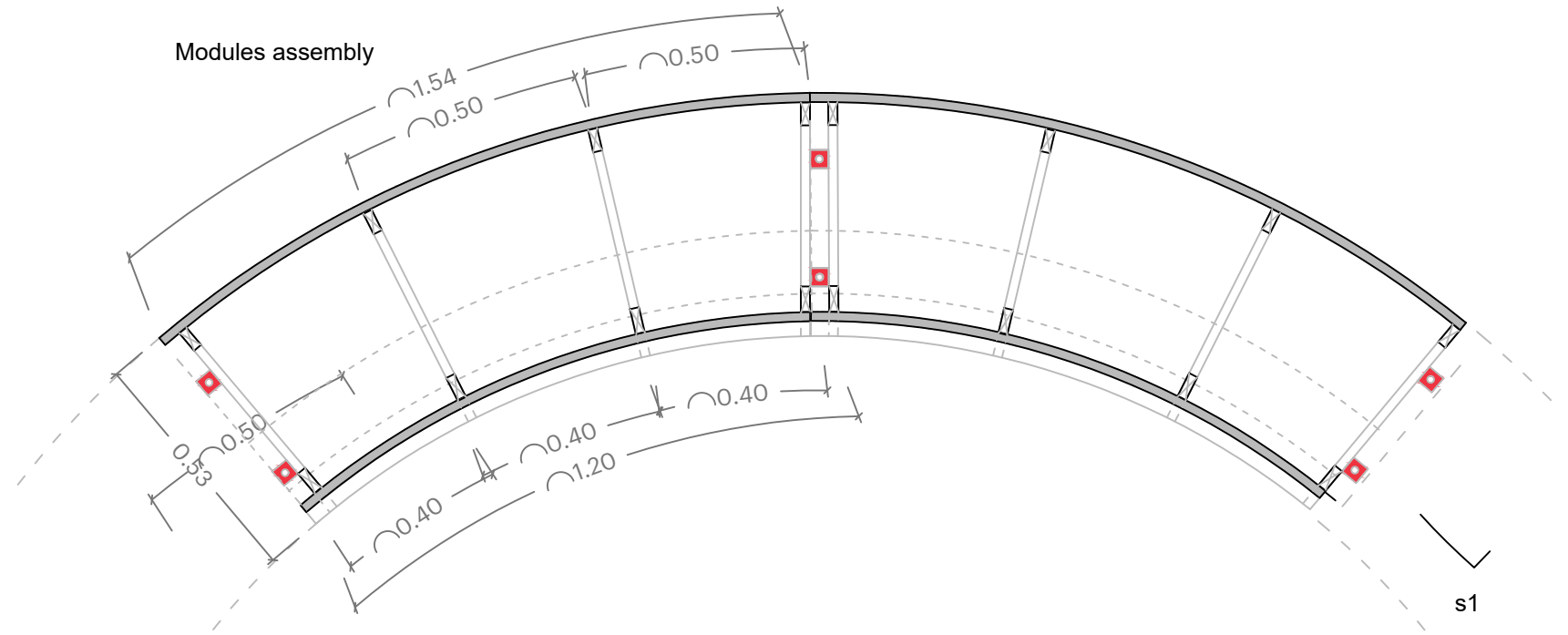


**ROOM 1**  
**MODULE DETAILS**

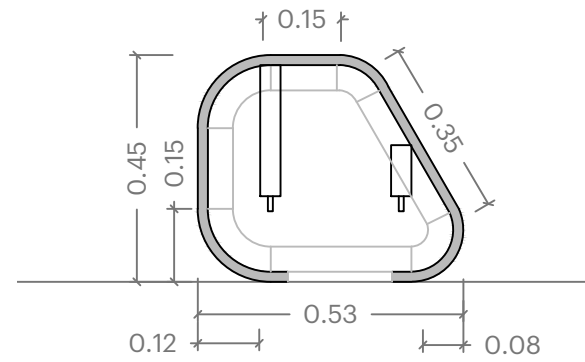
Floor plan



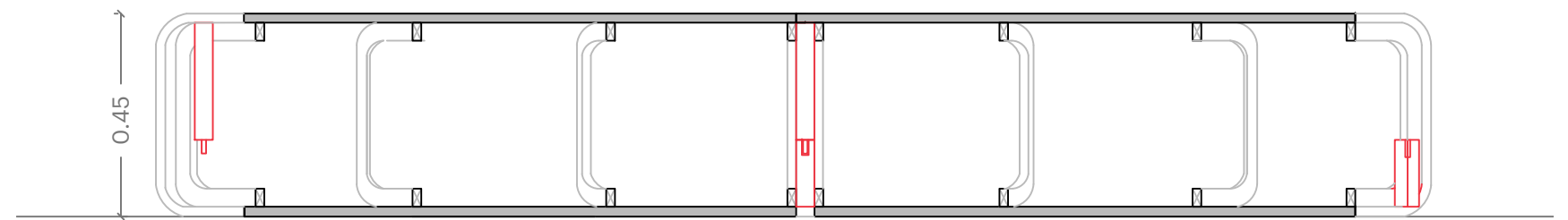
Modules assembly



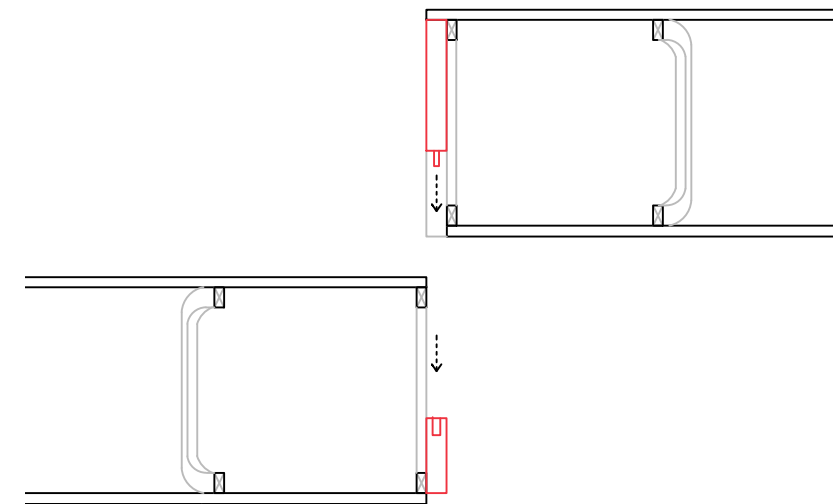
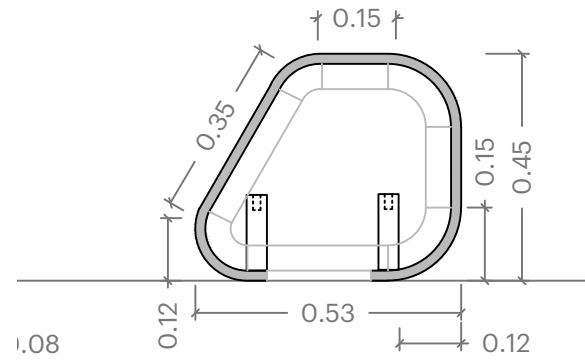
Elevation 1



Section 1

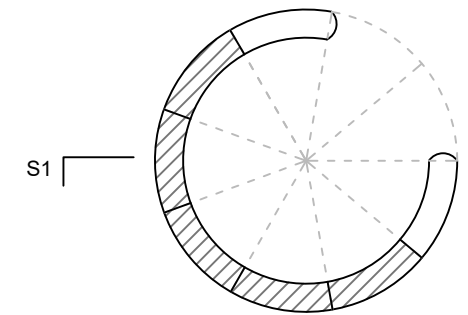
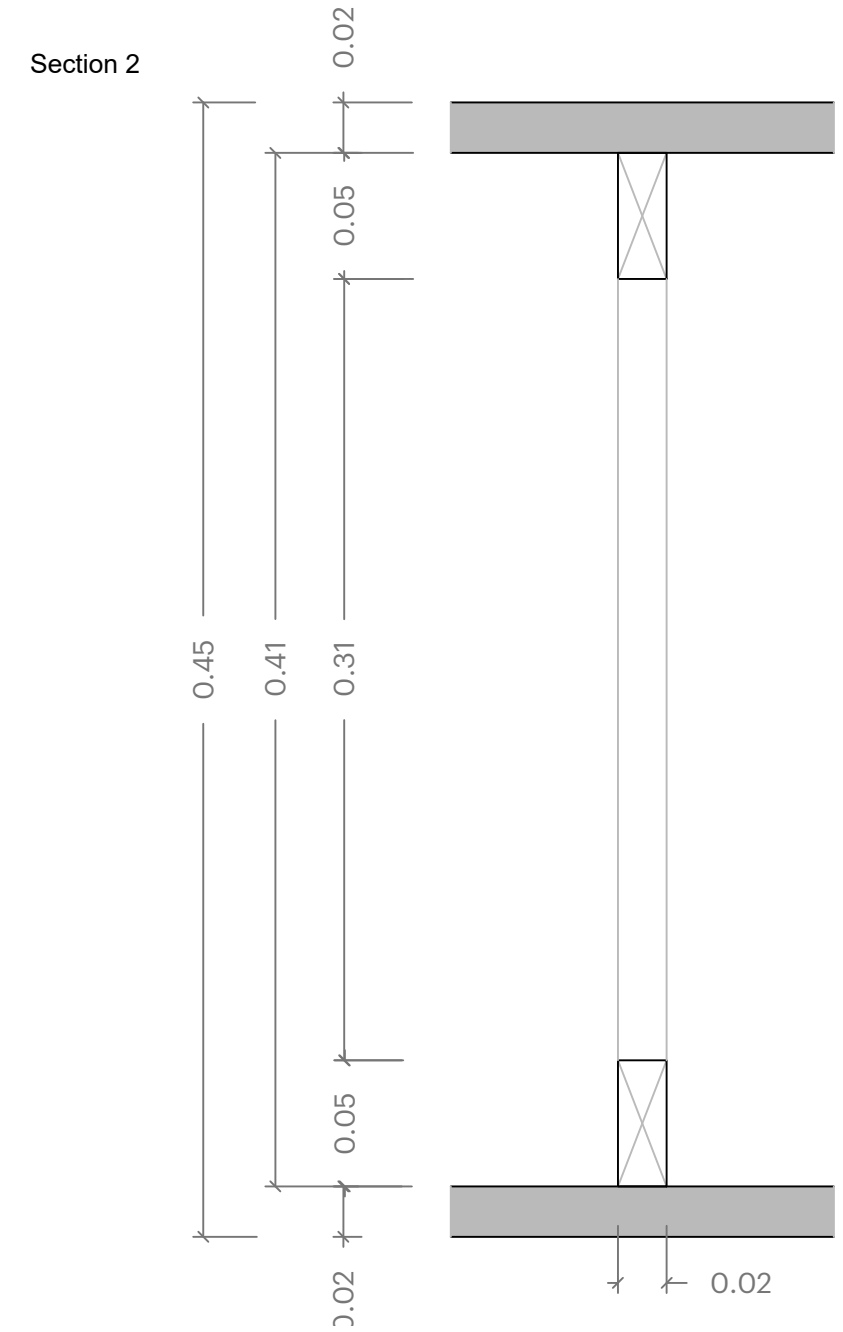
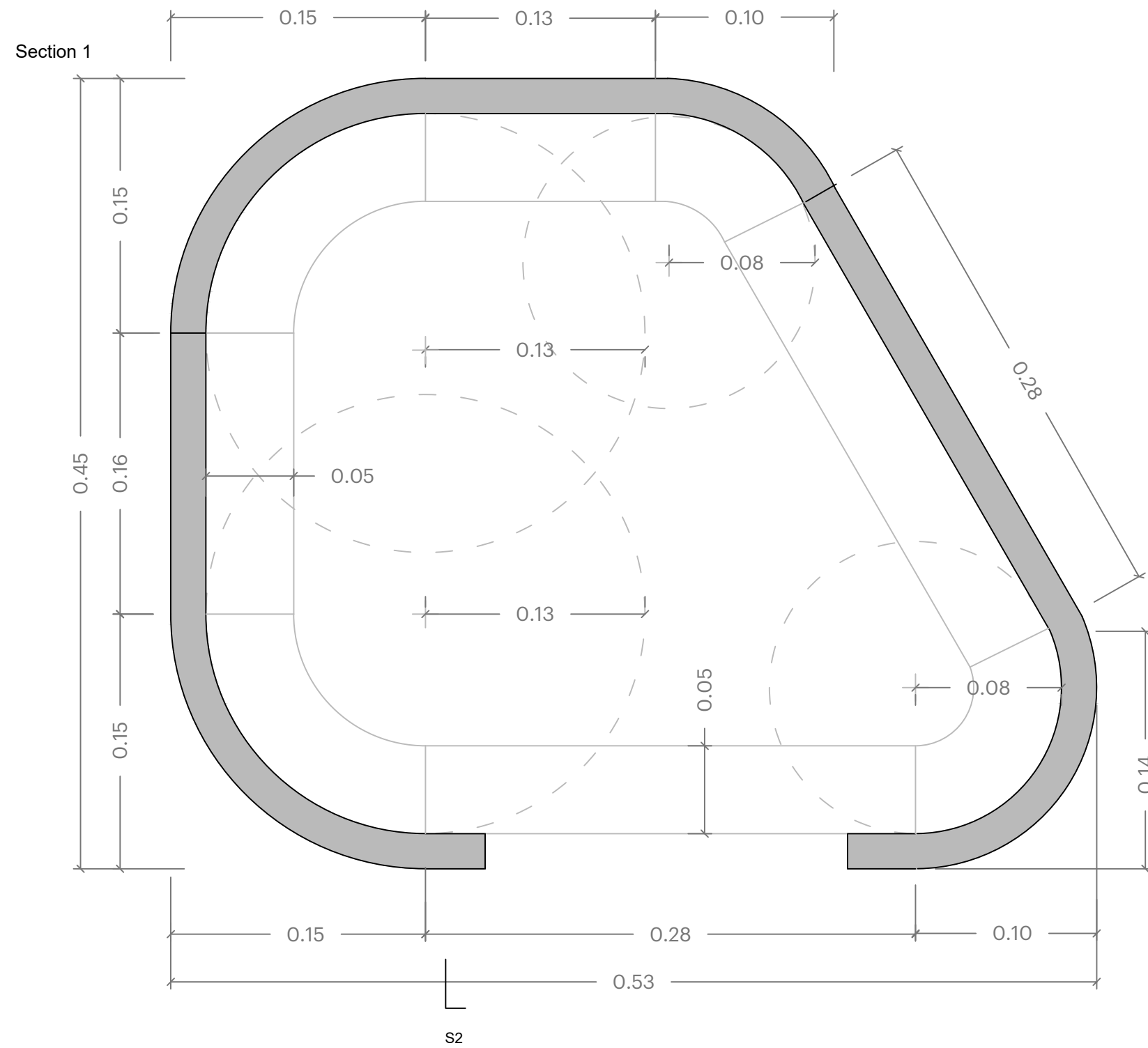


Elevation 2



**NOTE:**  
This construction details can be improved by the local carpenter.  
The important things are:  
- Shape  
- Stability  
- Durability  
- Easily mounting and dismantling for transportation to the next venue.

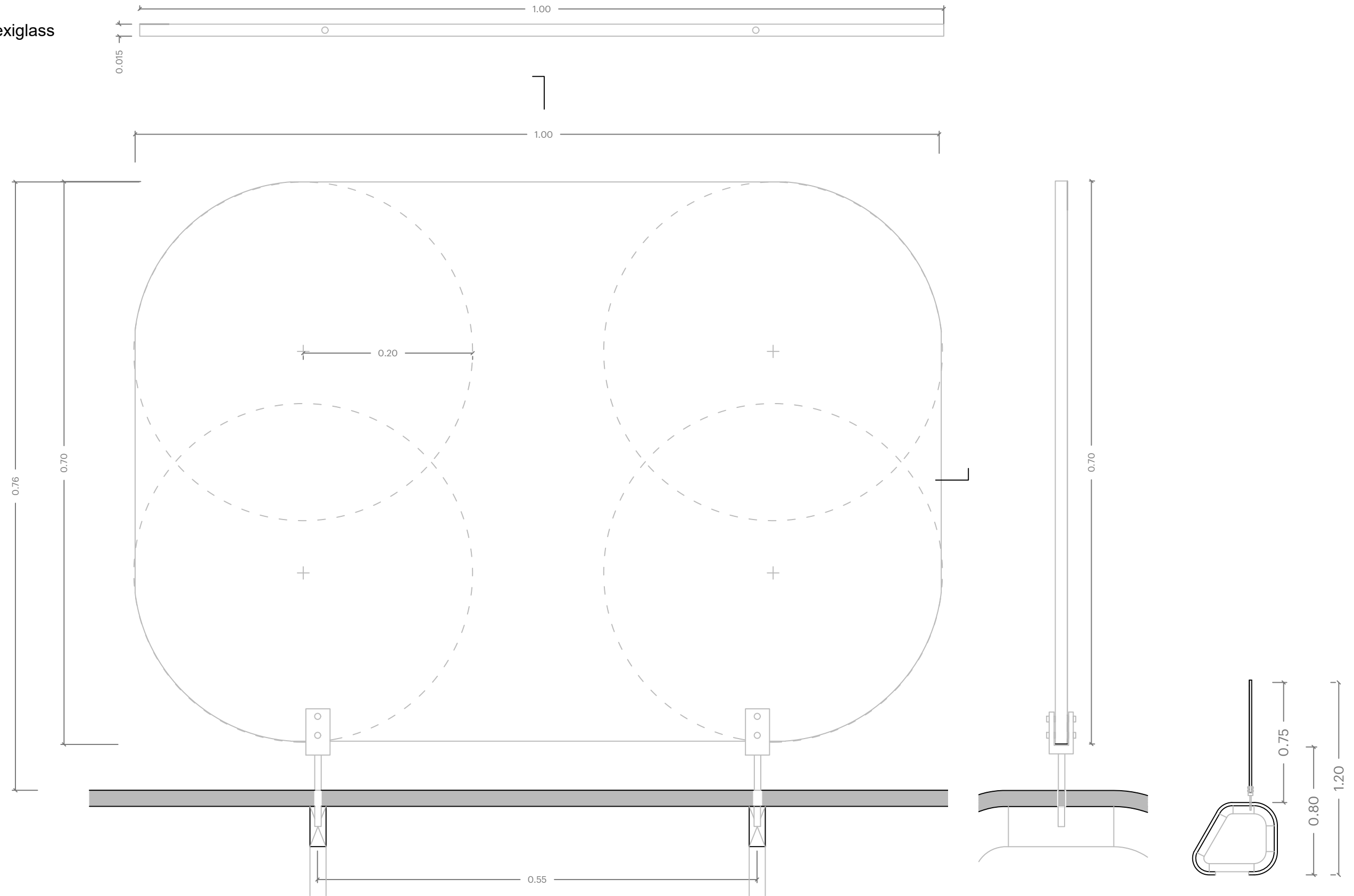
**ROOM 1**  
MODULE DETAILS





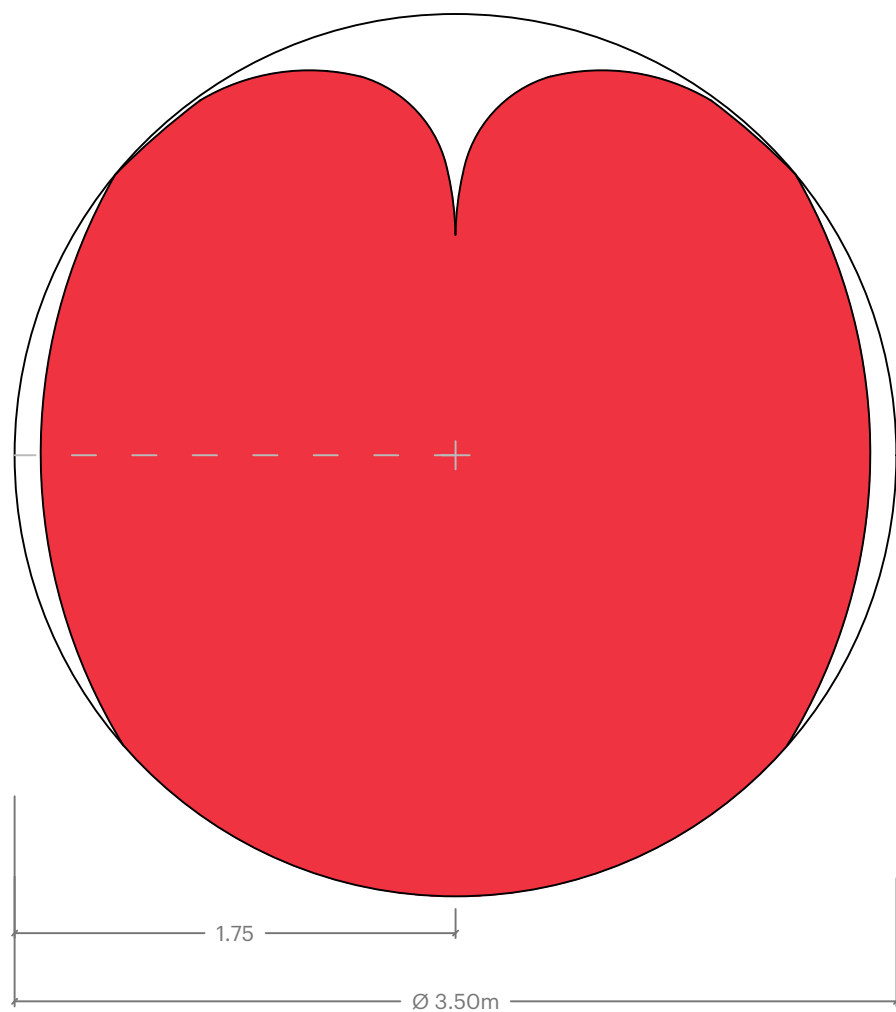
**ROOM 1**  
SCREEN DETAILS

Translucent Flexiglass



**ROOM 1**  
CARPET DETAILS

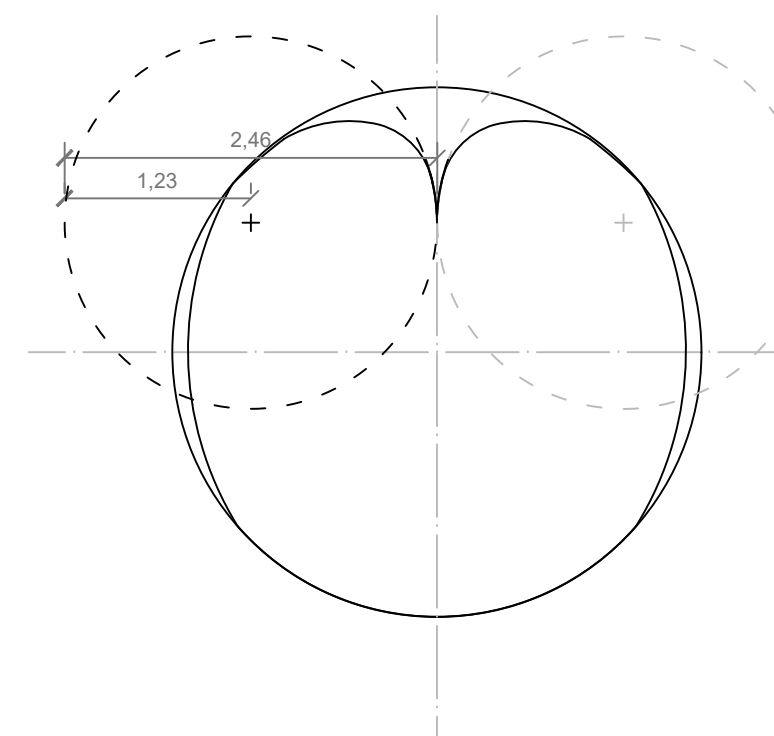
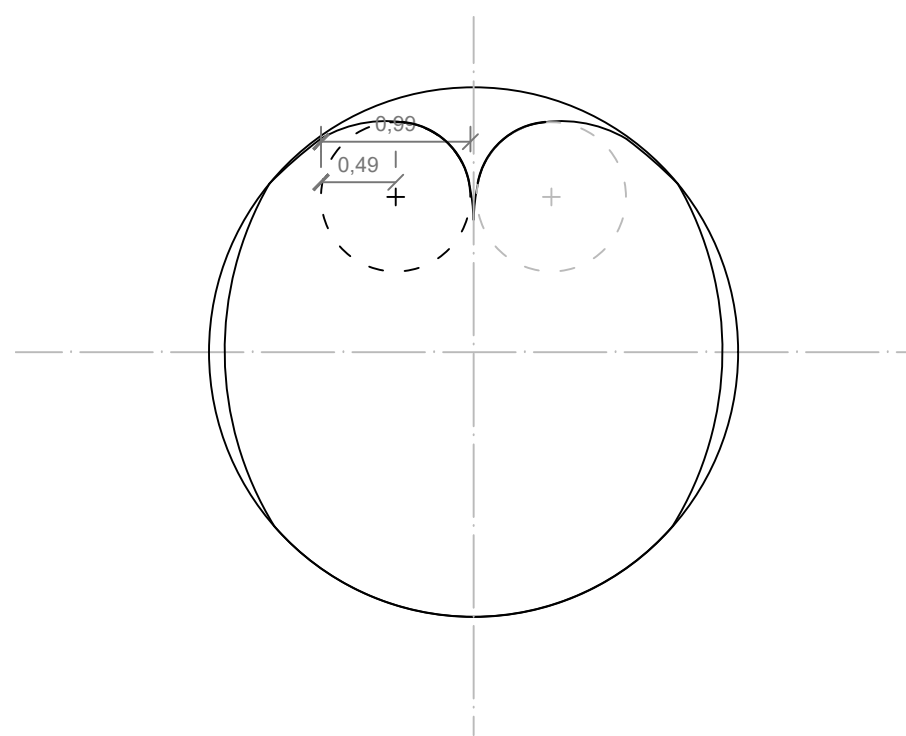
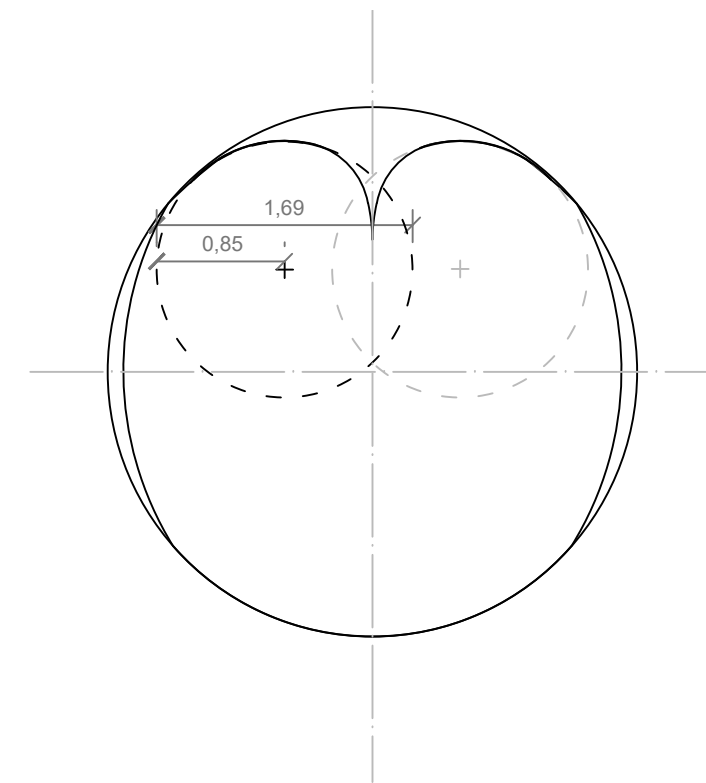
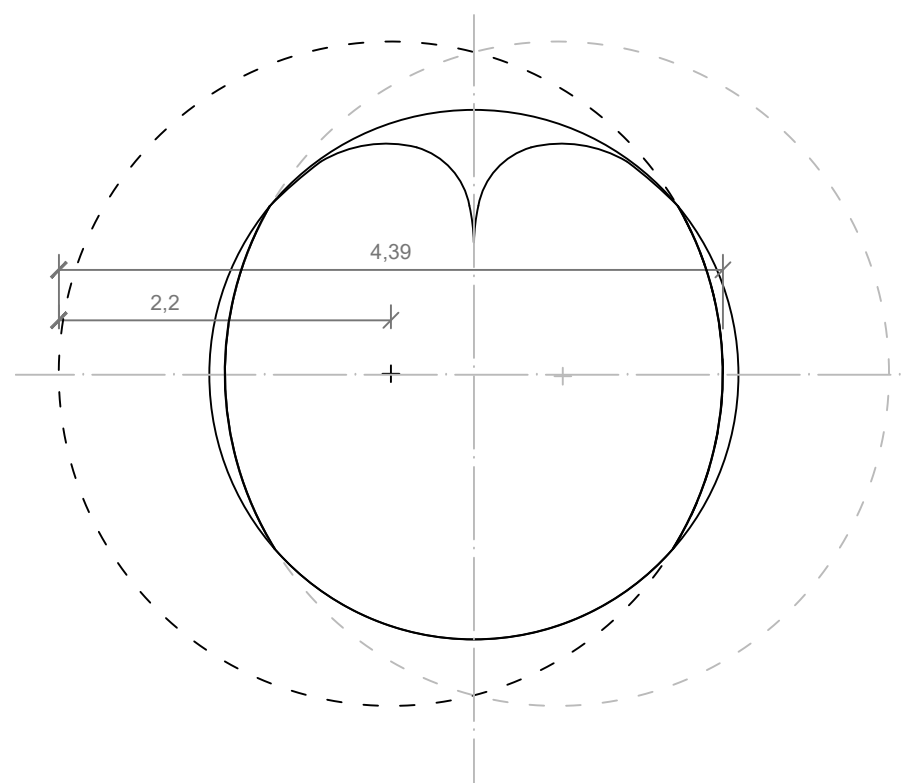
Floor plan



**Colos**

**red:** PANTONE Red 032 C (to confirm possible red types)

**blanco:** to confirm by the manufacturer company



# ROOM 2

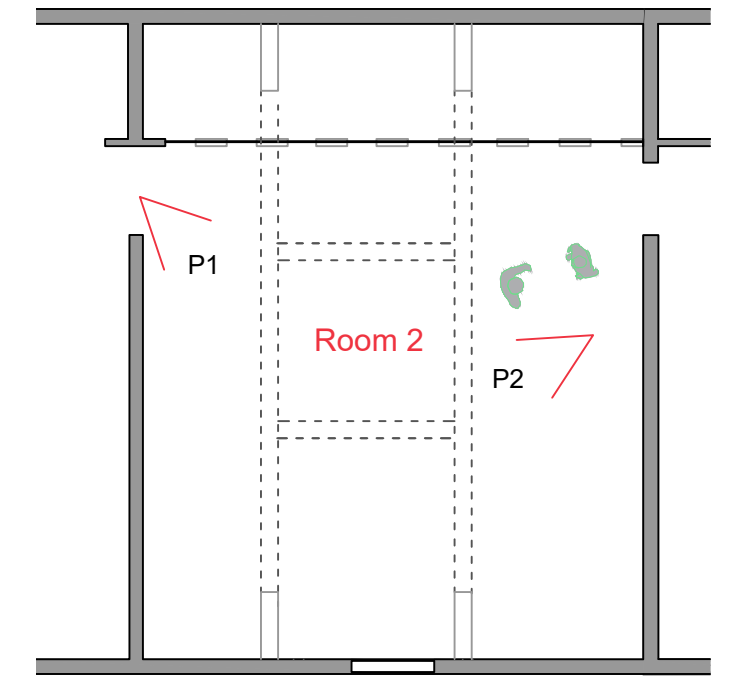
Photo 1



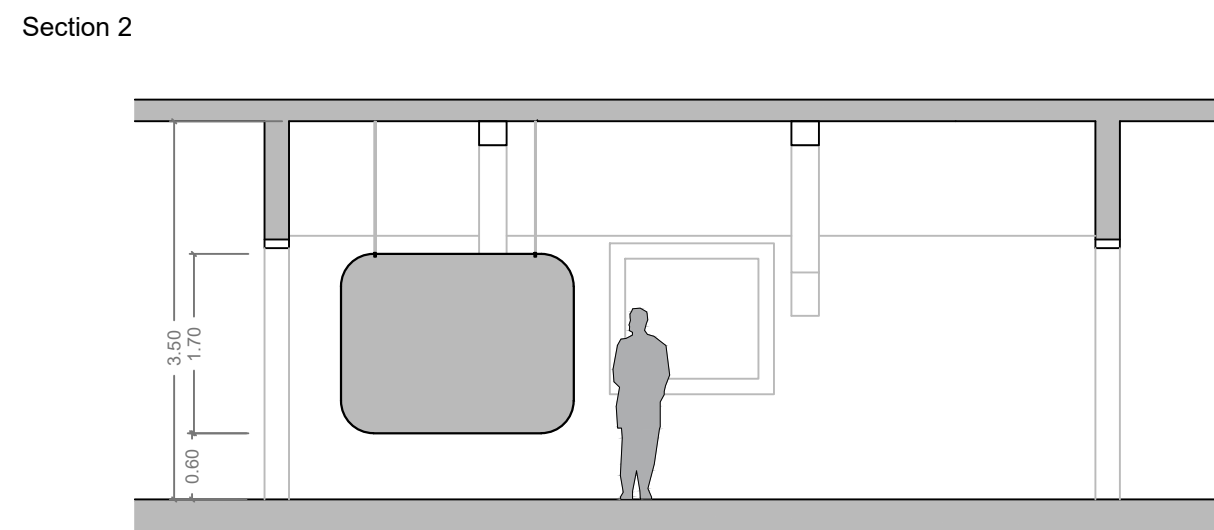
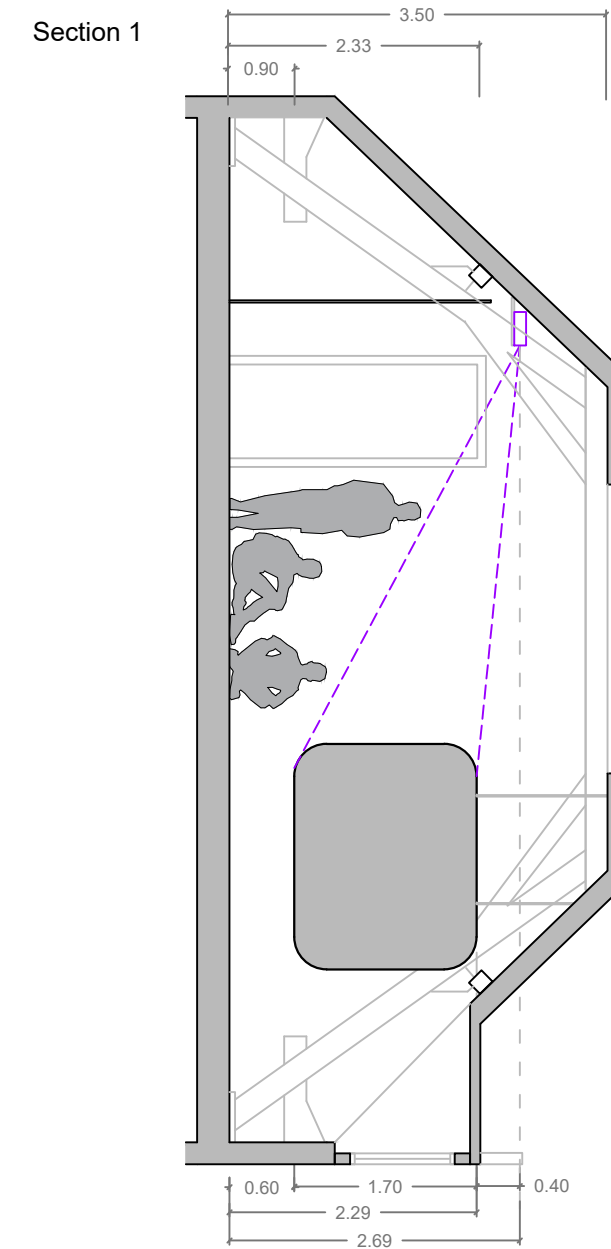
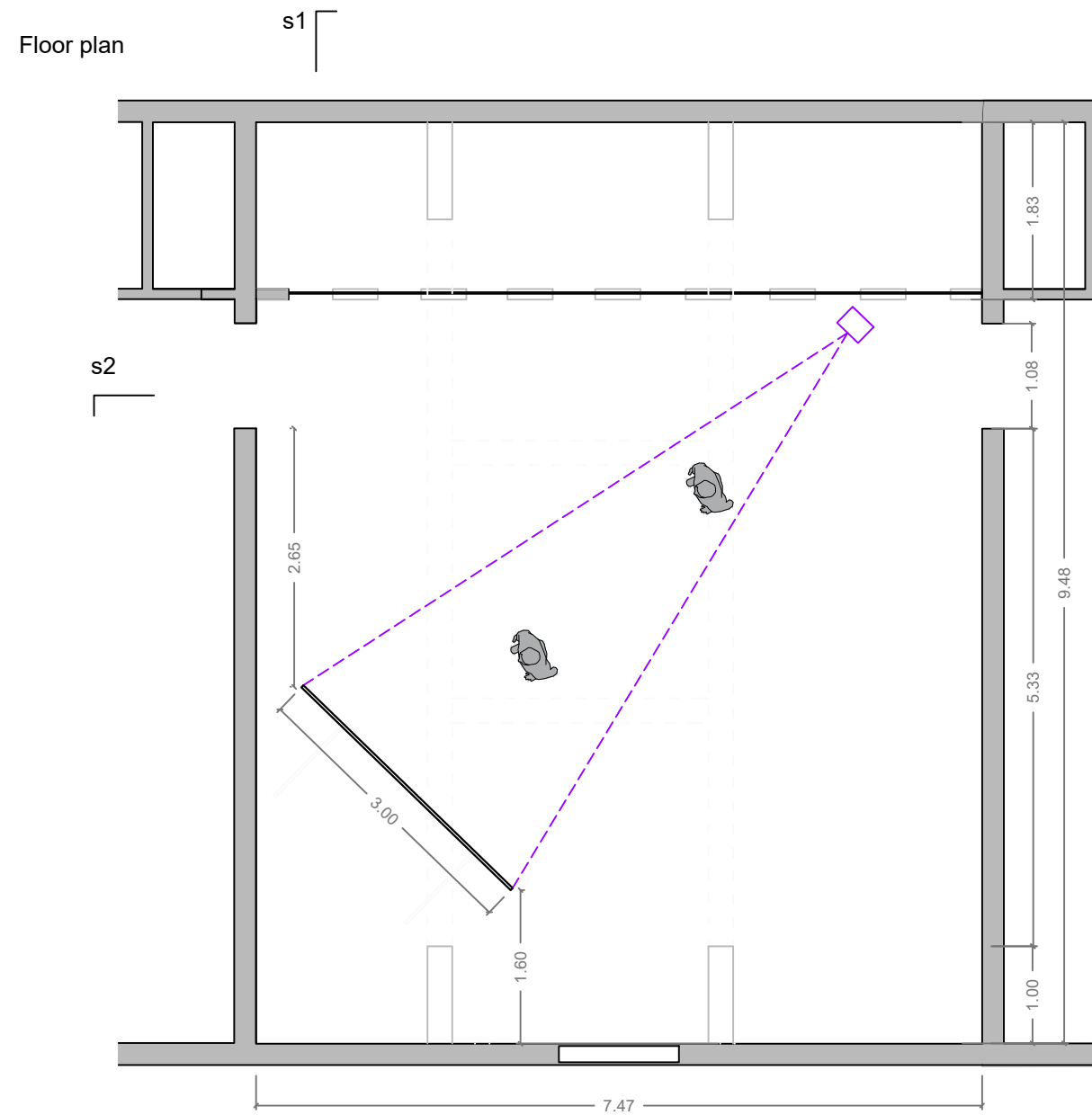
Photo 2



Floor plan



ROOM 2  
PROPOSAL PLANS  
**OPTION 1:**  
Front projection

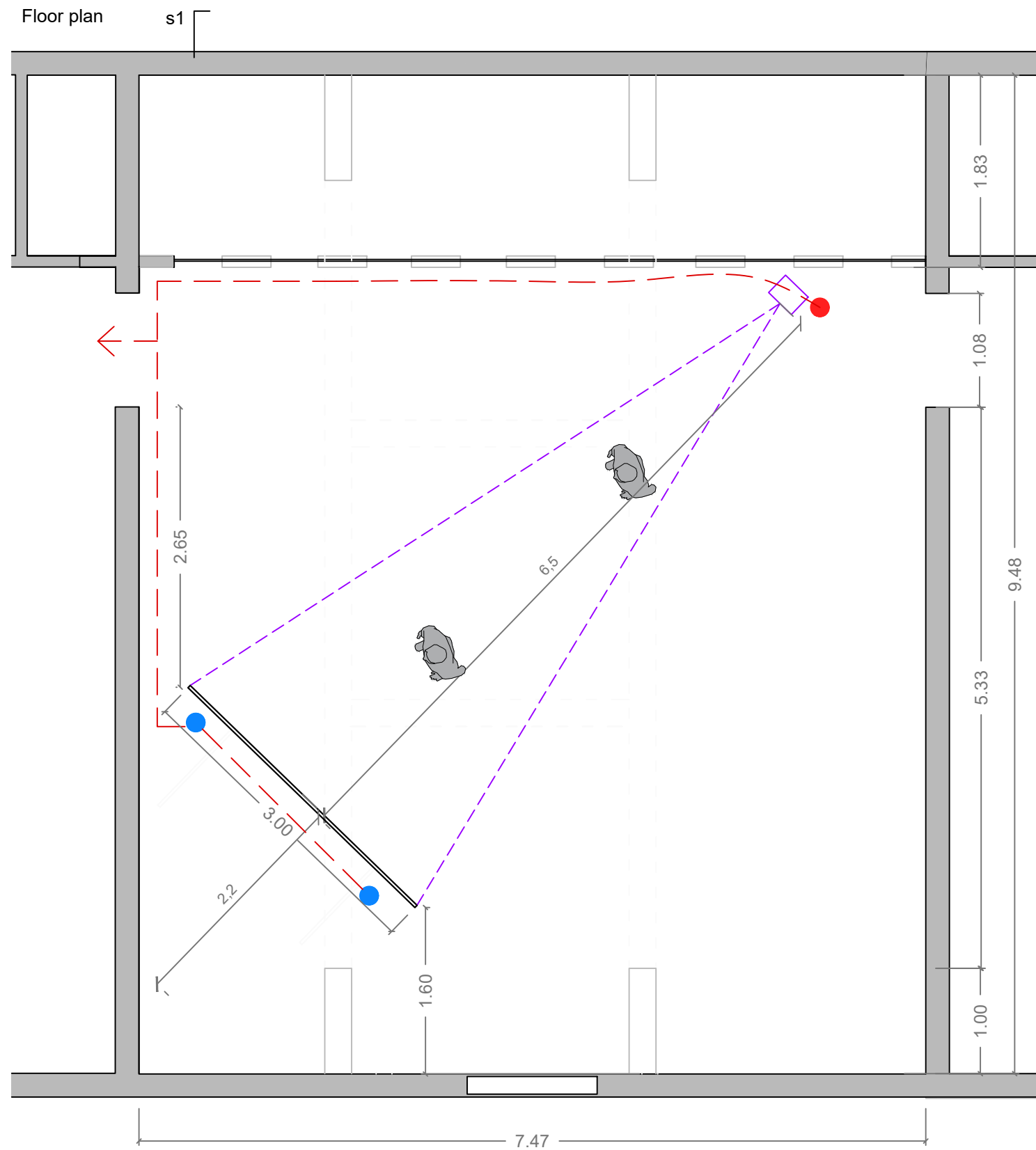


NOTE:  
The window must be locked.

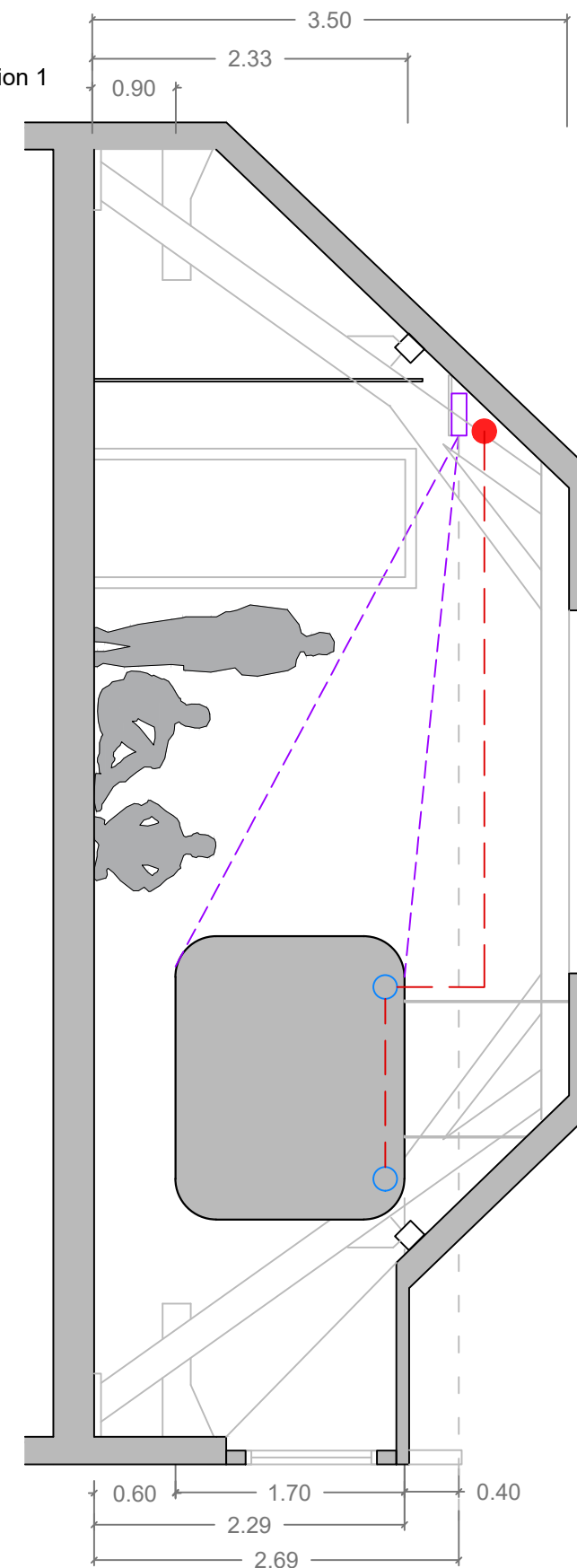
ROOM 2  
AUDIOVISUAL PLANS

OPTION 1:  
Front projection






Floor plan



Section 1



ELEMENTS

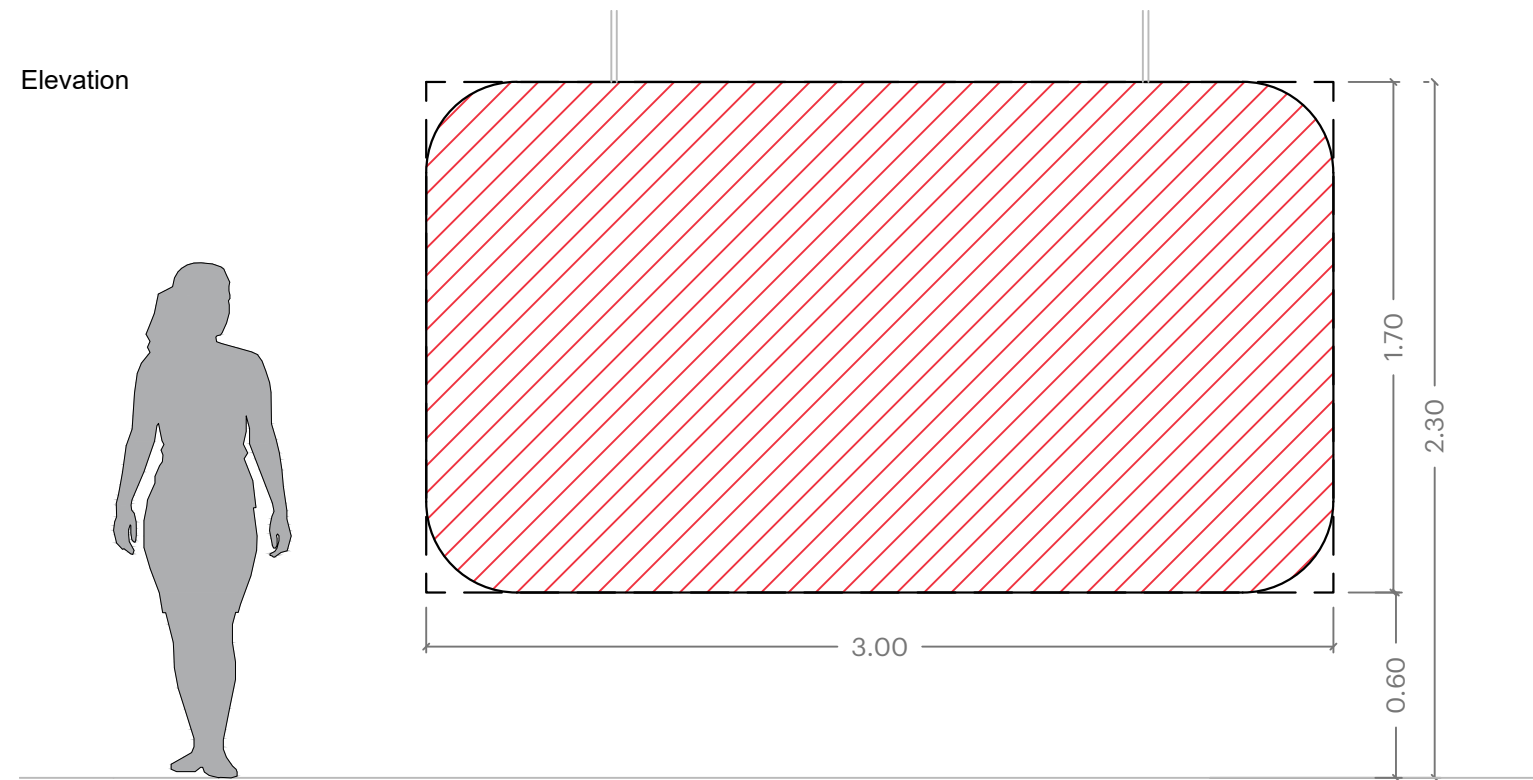
-  Screen  
32 m lienal x 2.40m height
-  Projector Optoma EH400+ 1 u  
Front projector - conventional  
4000 lumens
-  Audio sistem 8 uts
-  Multimedia player  
Brightsing
-  Electrical connection  
to a supply point

NOTE:  
The window must be locked.

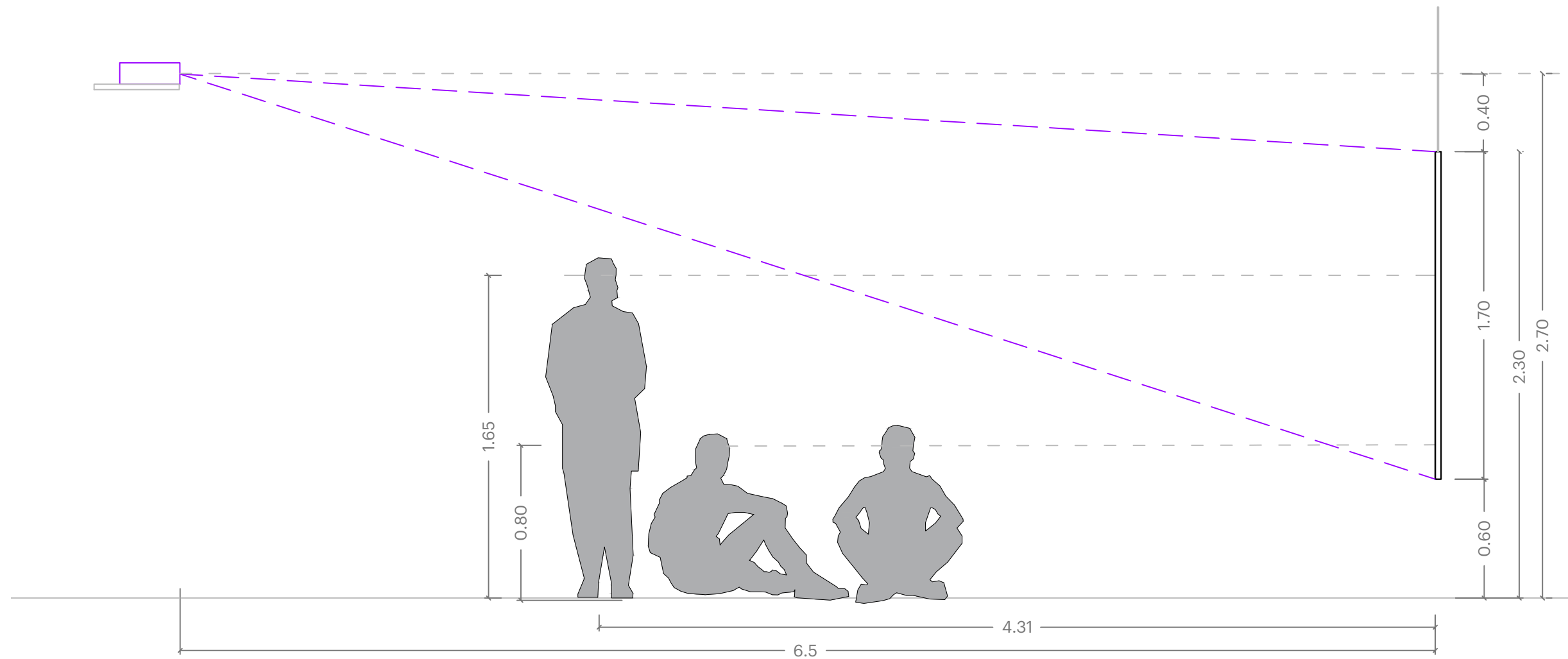
ROOM 2  
AUDIOVISUAL PLANS

**OPTION 1:**  
Front projection

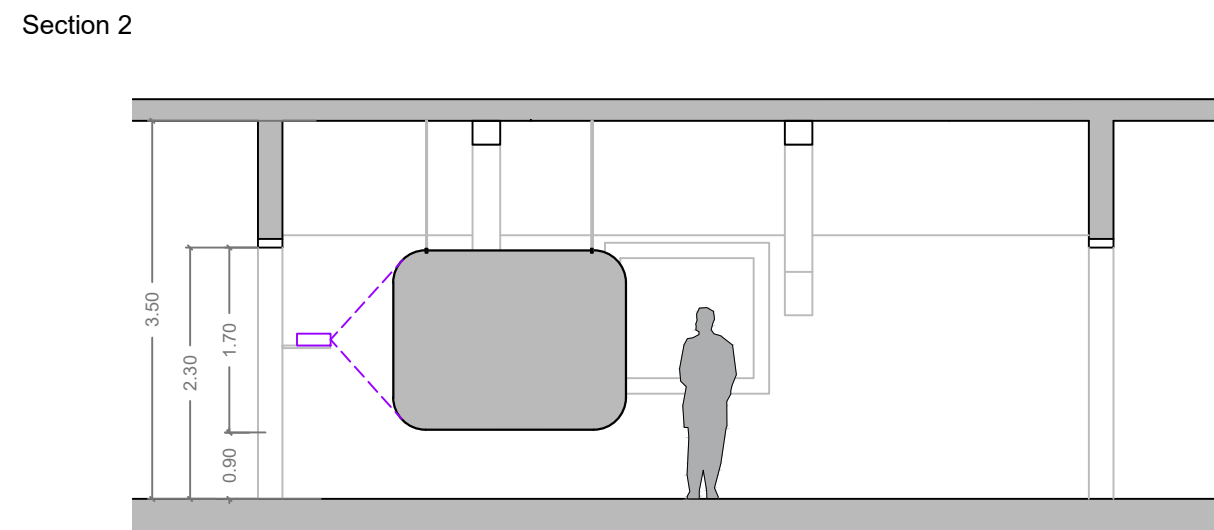
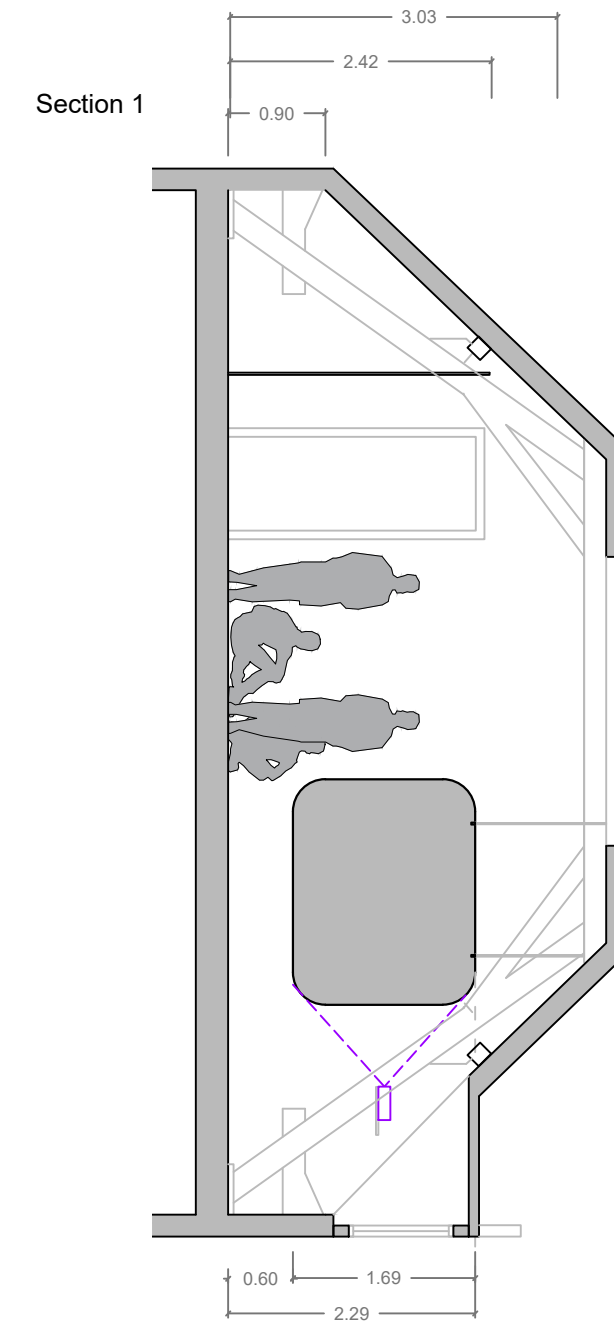
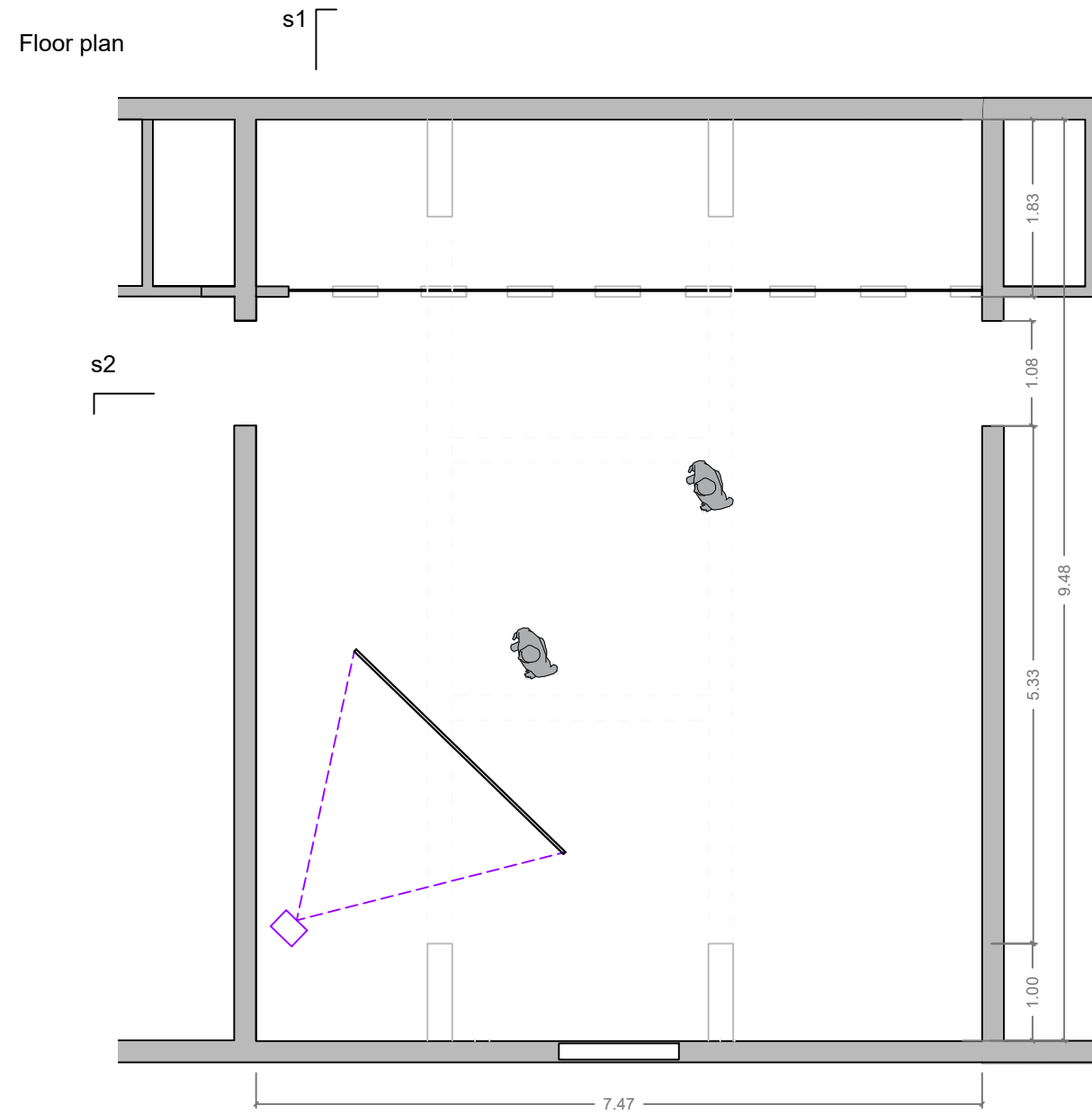
Elevation



Section



ROOM 2  
PROPOSAL PLANS  
**OPTION 2:**  
Rear projection



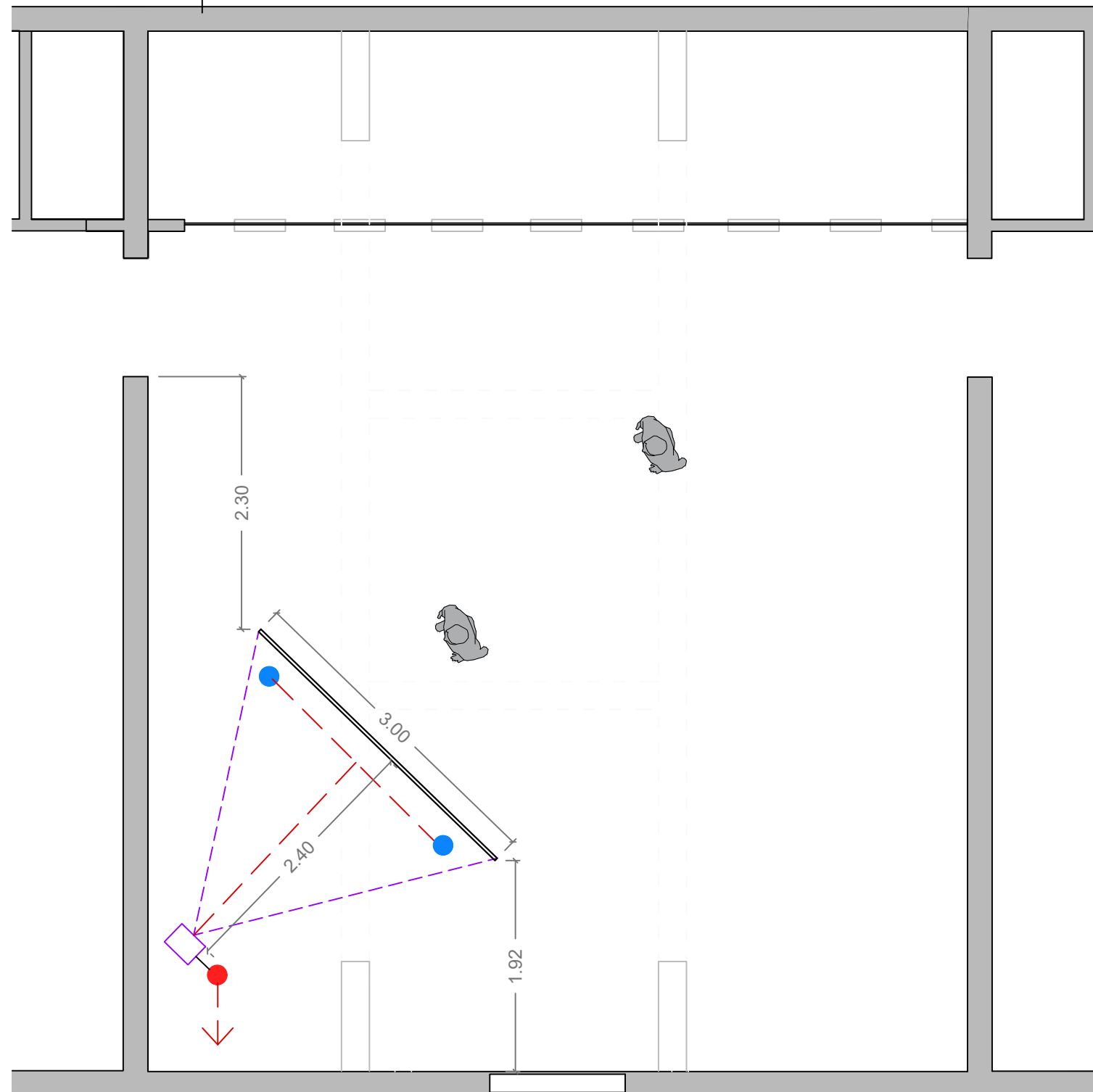
NOTE:  
The window must be locked.

ROOM 2  
AUDIOVISUAL PLANS

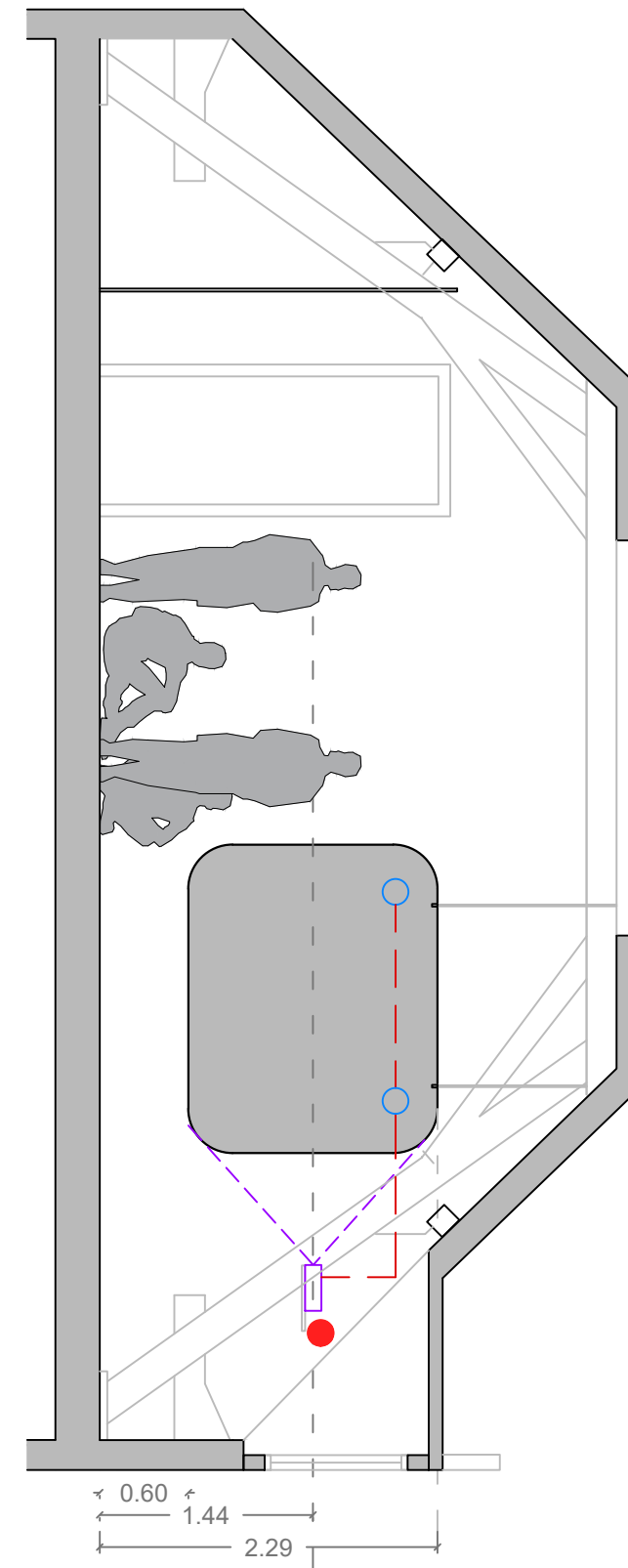
**OPTION 2:**  
Rear projection

Floor plan

s1



Section 1



**ELEMENTS**

- Screen  
32 m lienal x 2.40m height
- Projector NEC PA653U 1 uts  
Rear projector - conventional  
6500 lumens
- Audio sistem 8 uts
- Multimedia player  
Brightsing
- Electrical connection  
to a supply point

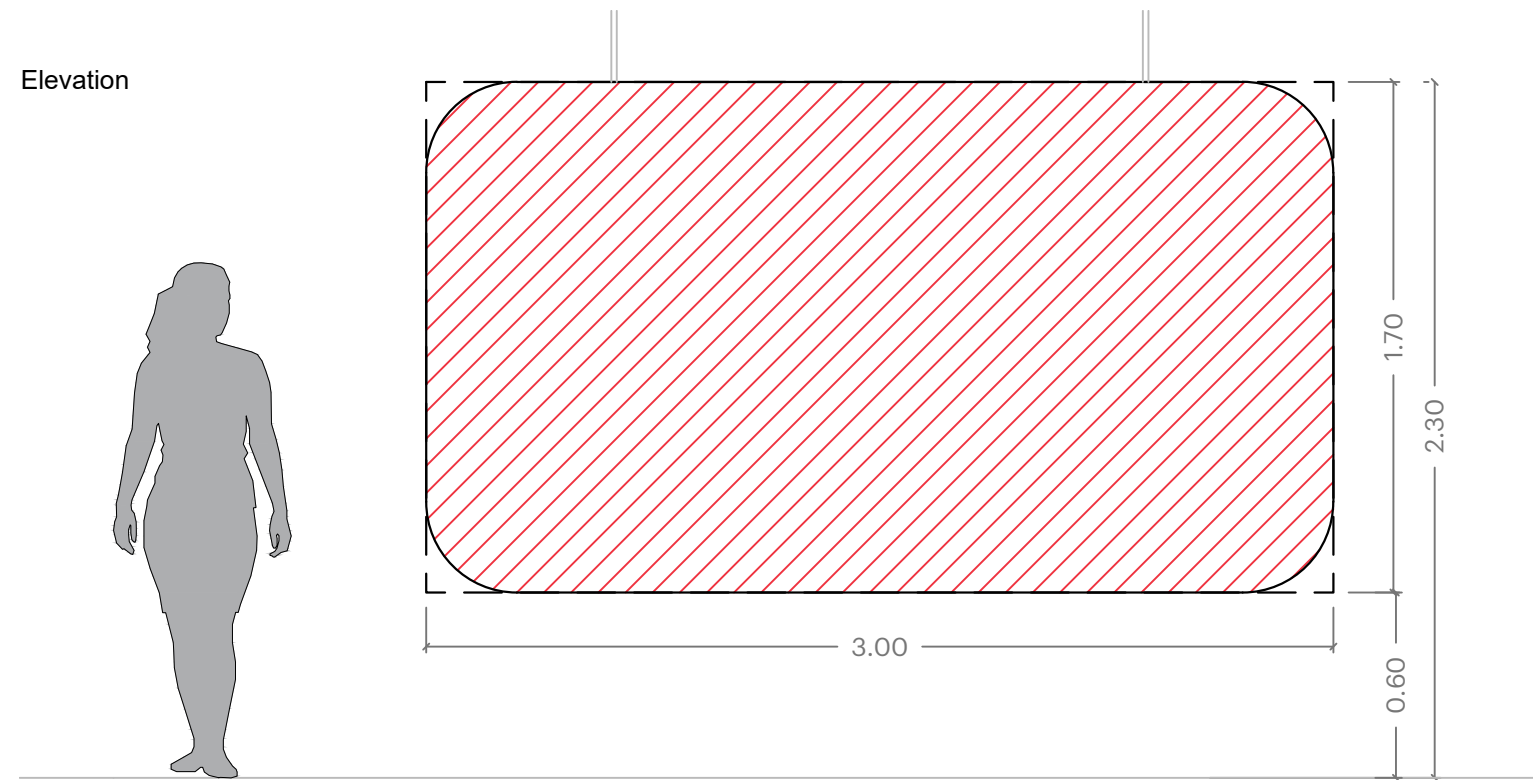
NOTE:  
The window must be locked.



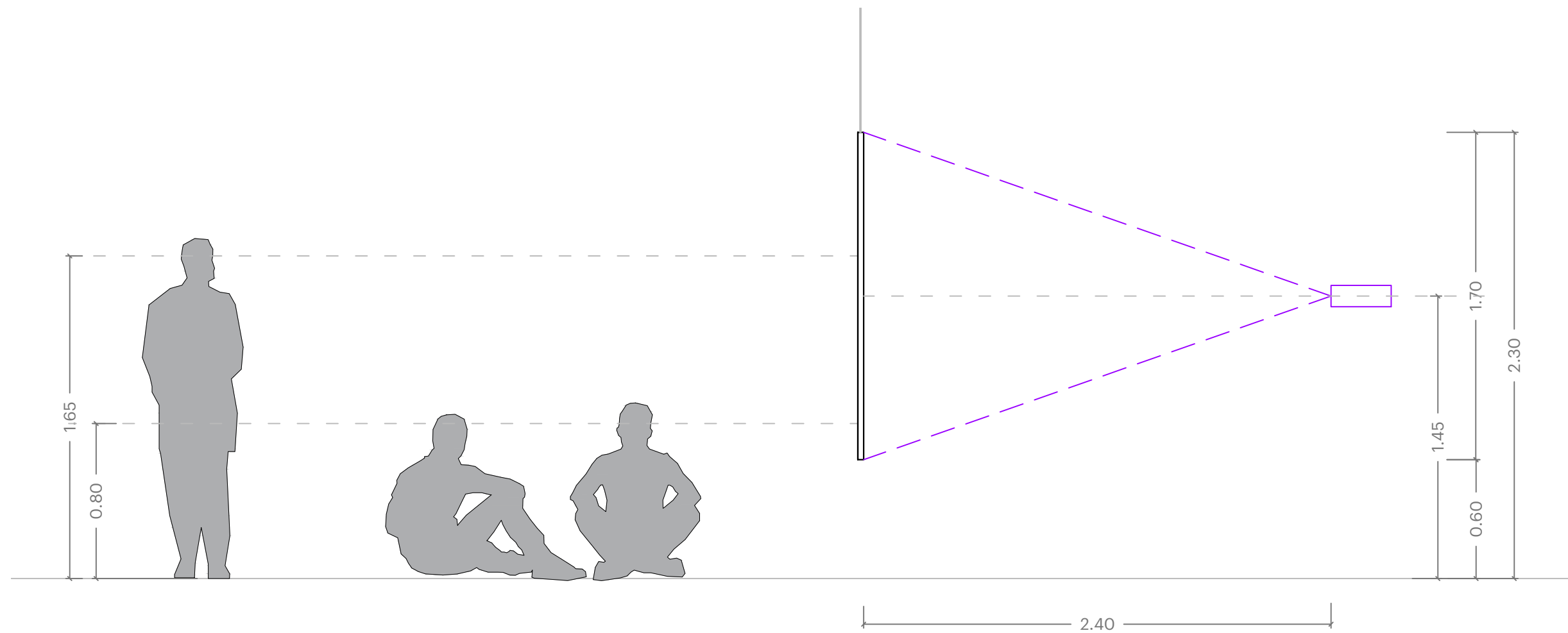
ROOM 2  
AUDIOVISUAL PLANS

**OPTION 2:**  
Rear projection

Elevation



Section



ROOM 2  
AUDIOVISUAL PROJECTOR

**OPTION 1:**  
Front projection

Optoma EH400+ or superior.  
Front projector - conventional  
4000 lumens minimum

 **Optoma EH400+** — \$799 Street Price, \$1,399 MSRP (USD)  
1920x1080 resolution DLP, 4000 ANSI lumens, 22000:1 contrast, 1.30:1 zoom, 5.1 lbs

**Help** **About** **Print**

**Primary Use:**  
 Presentations  
 Data/Text  
 Home Theater

**Recommended Seating:** 6.4 - 22 m  
**At Throw Distance:** 5.5 m

**Max Room Lighting:** 19% (77 lux)  
 Off  On

41.8 m 21 m 0.3 m

[Find similar projectors...](#)

**Optoma EH400+ Projection Calculator**

**Zoom:** 1.30x  
 5.5 m  
 6.3 m  
 7.2 m  
**Throw Range**

Diagonal Range  
 Throw Range

**Lens:**  
 Throw Ratio: 1.13 - 1.47, Zoom Ratio: 1.3, f/2.5 - f/2.8  
 Image Brightness: 95 nits

**Mount:**  
 Ceiling  Floor

**Aspect Ratio:**  
 4:3  16:9  2.39:1

**Screen Gain:** 1.0

**Throw Distance:** ft in m cm  
 5.5 m

**Recommended image brightness for low ambient light**

**Image Diagonal:** ft in m cm  
 2.8 m  
 5.6 m  
 4.9 m

**Diagram:** A 3D rendering of the projector is shown projecting onto a screen. A red arrow indicates a "-0.4 m vertical offset" between the projector's lens and the screen's center. The screen displays the text "PROJECTOR CENTRAL".

**CAUTION:** Numbers are based on manufacturer supplied information which may have changed or is inaccurate. Check with your supplier before making any final decisions.

v2.34

ROOM 2  
AUDIOVISUAL PROJECTOR

**OPTION 2:**  
Rear projection

NEC PA653U or superior.  
Front projector - conventional  
6500 lumens minimum



**NEC PA653U** — \$5,399 Street Price, \$5,999 MSRP (USD)  
1920x1200 resolution 3 LCD, 6500 ANSI lumens, 8000:1 contrast, 22.5 lbs

**Primary Use:**  Presentations  Data/Text  Home Theater

**Recommended Seating:** 3.9 - 18 m  
**At Throw Distance:** 3 m

**Max Room Lighting:** 60% (22 fc)  
Off  On

63.1 m 31.7 m 0.3 m


[Find similar projectors...](#)

**NEC PA653U Projection Calculator**

**Zoom:** 1.12x  
-2.4 m  
-2.8 m  
-3.4 m  
**Throw Range**

Diagonal Range  
 Throw Range

**Current Lens:** (6/8)  
NEC Zoom Lens NP40ZL  
Throw Ratio: 0.81 - 1.13, f/2.0 - f/2.4



**Image Brightness:** 87 fL

**Aspect Ratio:**  4:3  16:9  16:10  2.39:1

**Screen Gain:** 1.0

**Throw Distance:**  ft  in  m  cm

10 8 6 4 2

**3 m**

**Recommended image brightness for rooms with ambient light**  
Greater room light requires a brighter image.

**Image Diagonal:**  ft  in  m  cm

450" 400" 350" 300" 250" 200" 150" 100" 50"

74"  
139"  
118"

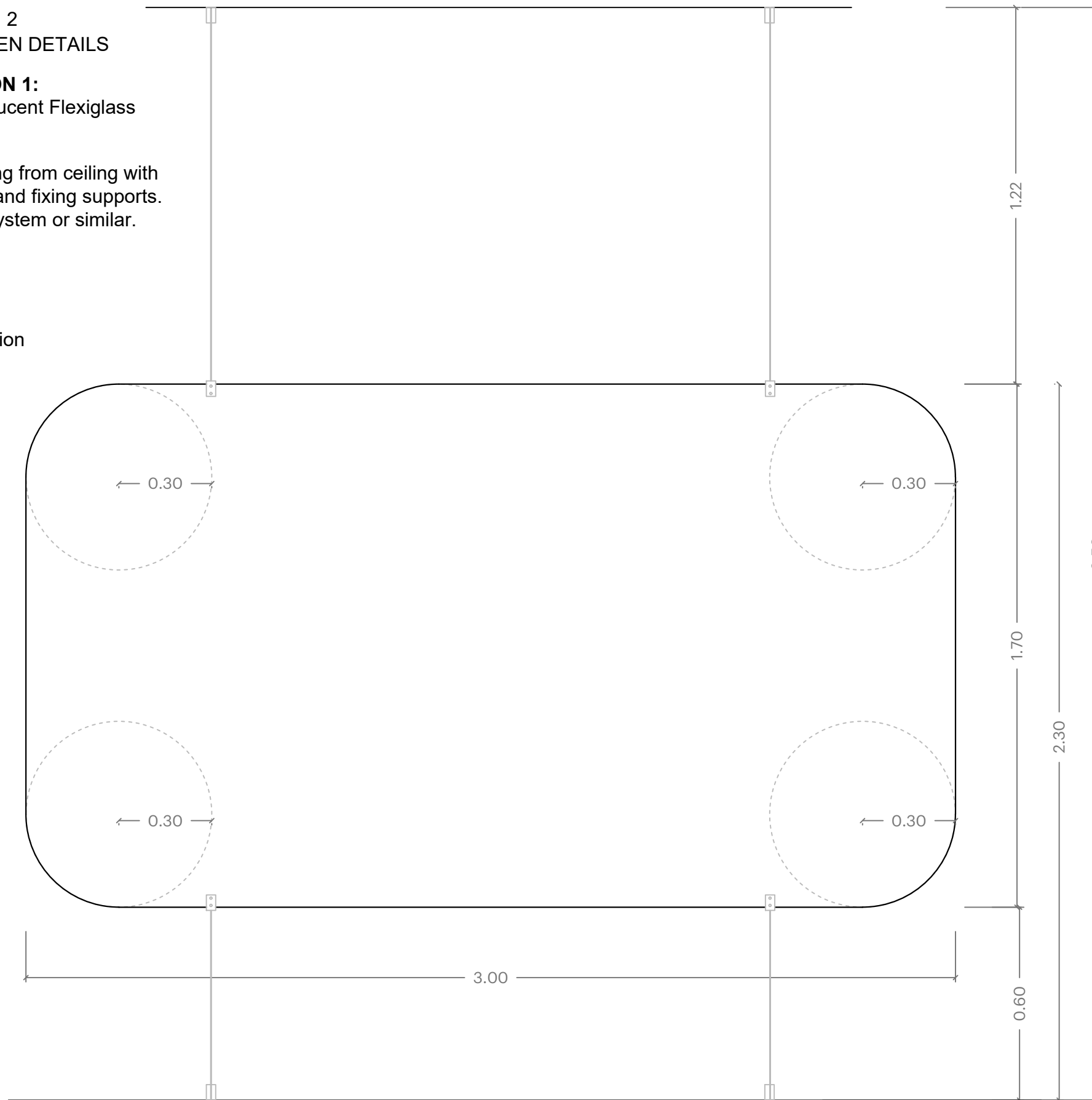
**CAUTION:** Numbers are based on manufacturer supplied information which may have changed or is inaccurate. Check with your supplier before making any final decisions.

ROOM 2  
SCREEN DETAILS

**OPTION 1:**  
Translucent Flexiglass

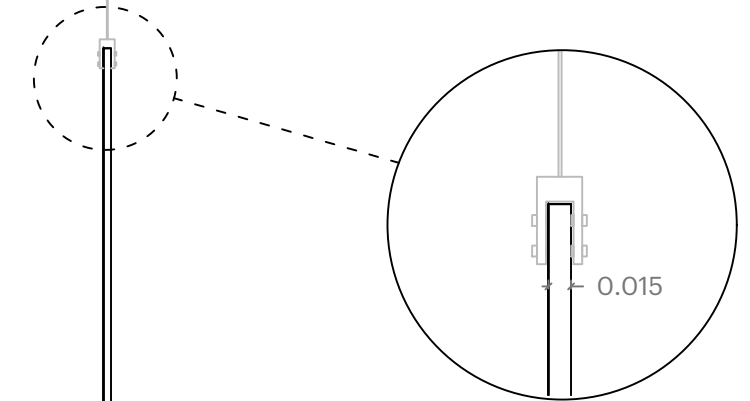
Hanging from ceiling with  
cable and fixing supports.  
Exposystem or similar.

Elevation

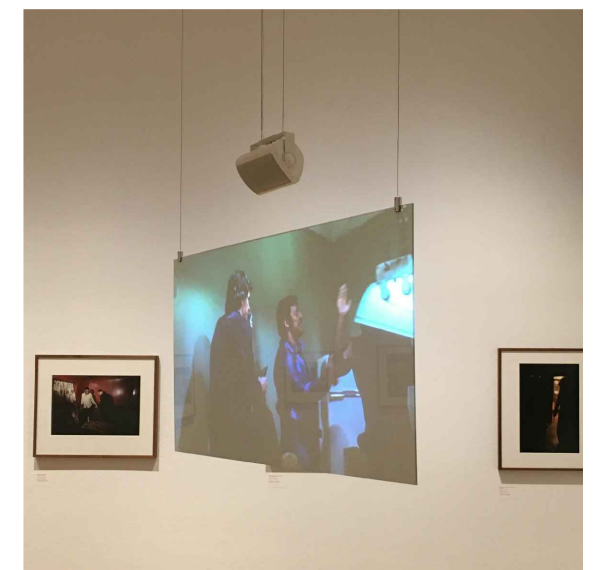


Section

Detail



Reference

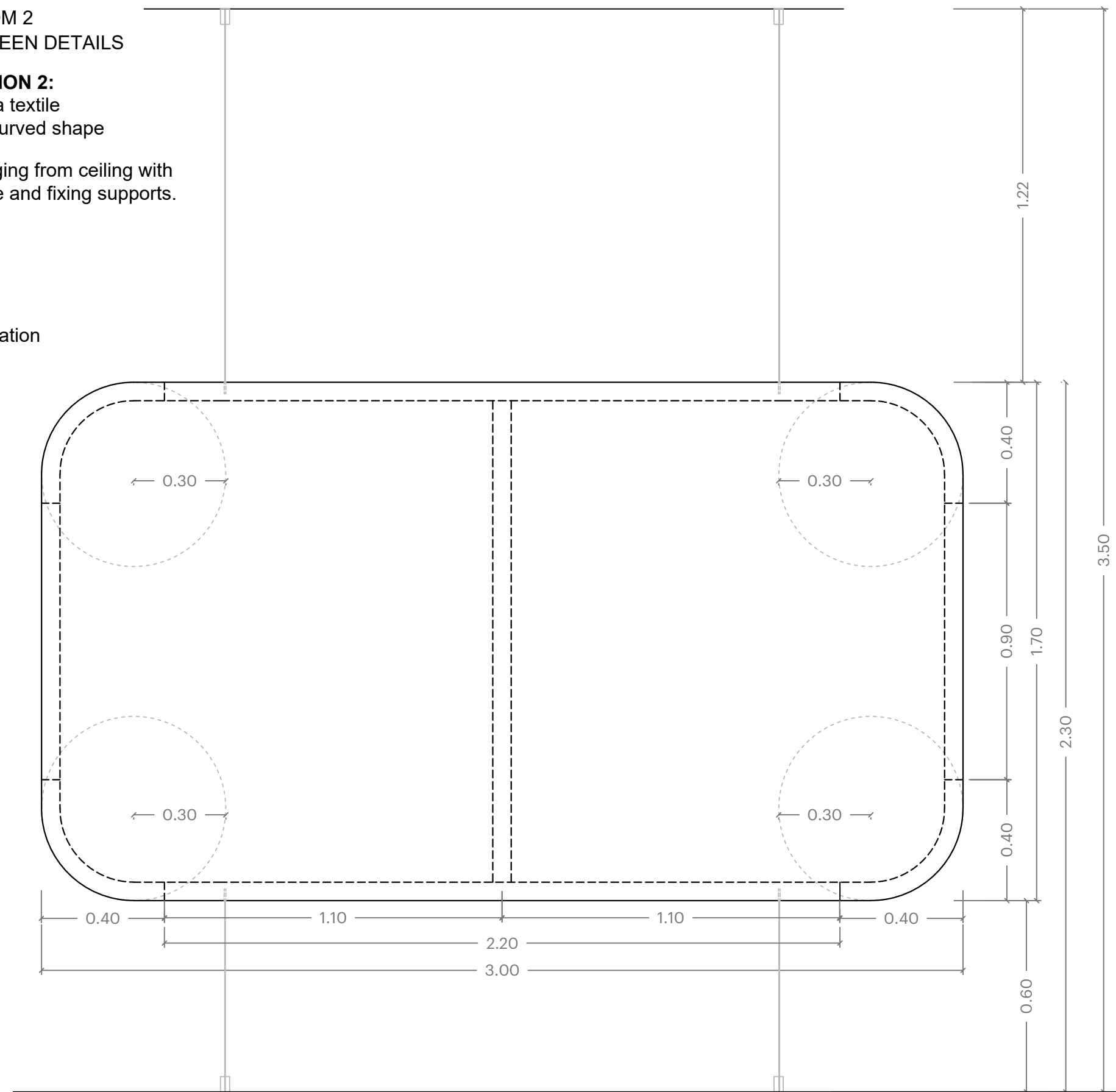


ROOM 2  
SCREEN DETAILS

**OPTION 2:**  
Lybra textile  
fits curved shape

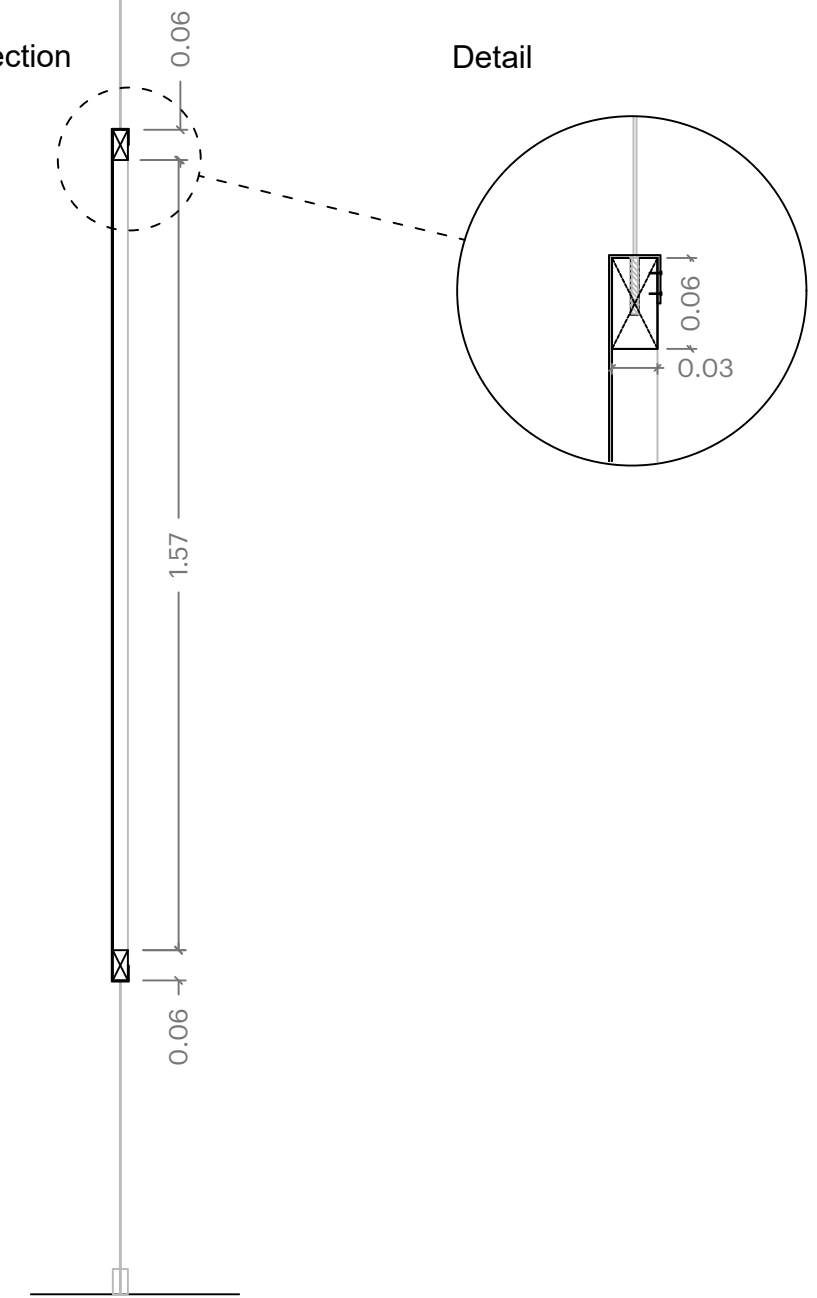
Hanging from ceiling with  
cable and fixing supports.

Elevation



Section

Detail

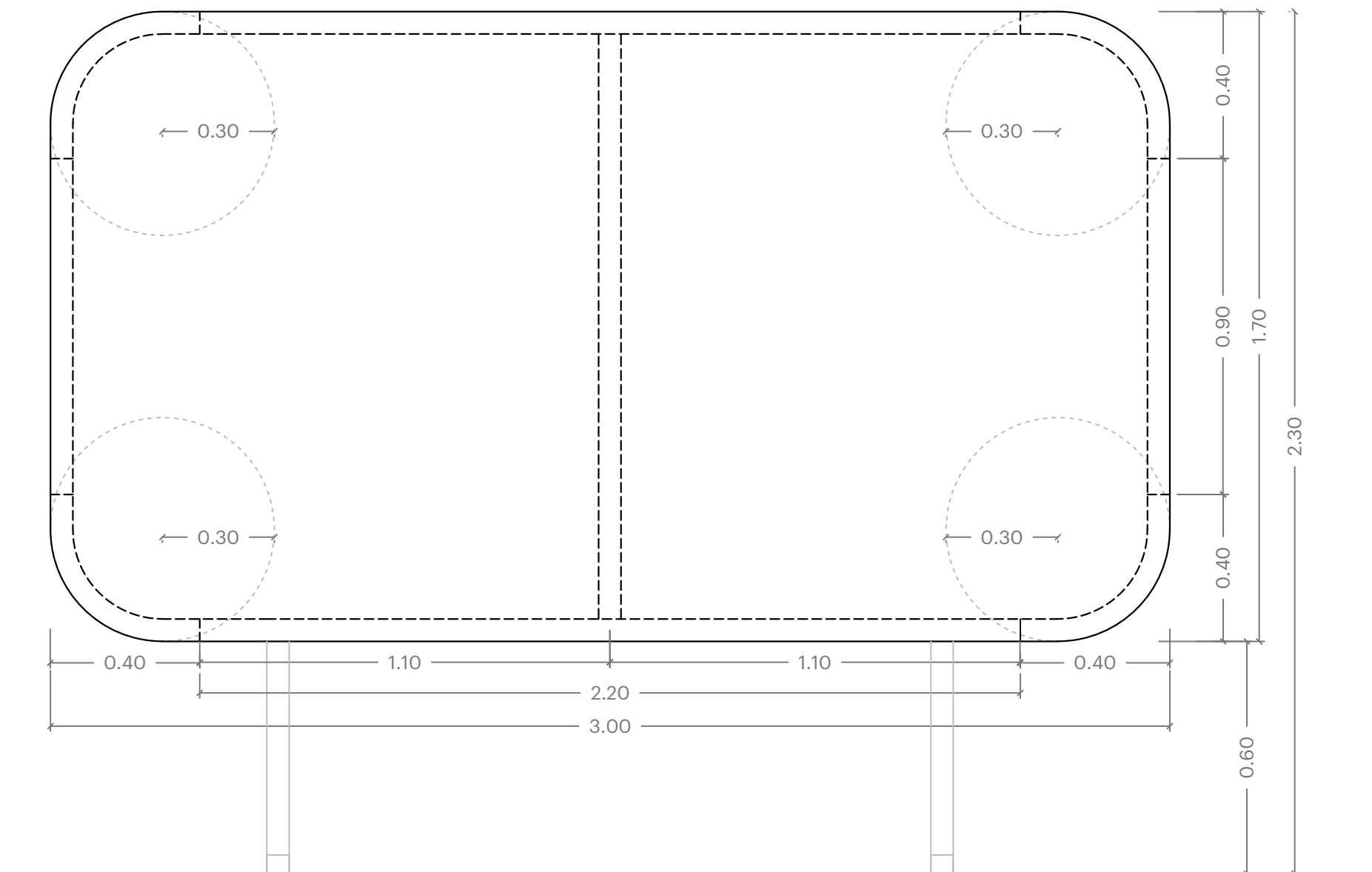


ROOM 2  
SCREEN DETAILS

**OPTION 3:**

Wooden painted in white.  
Only for Front projector.

Elevation



Section

